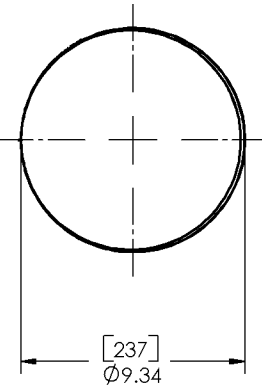
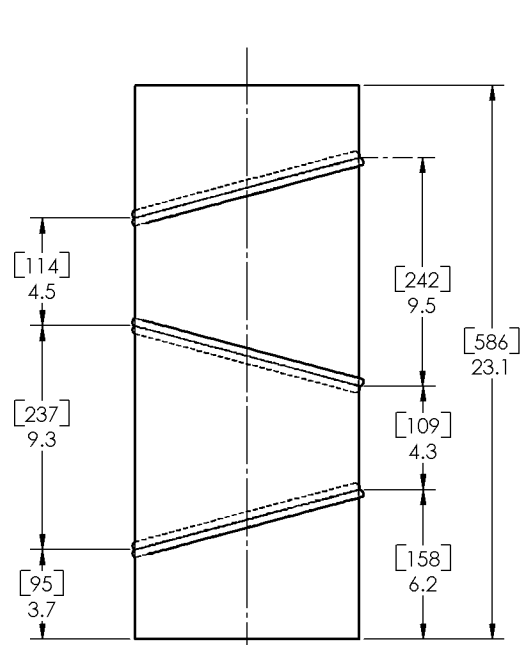
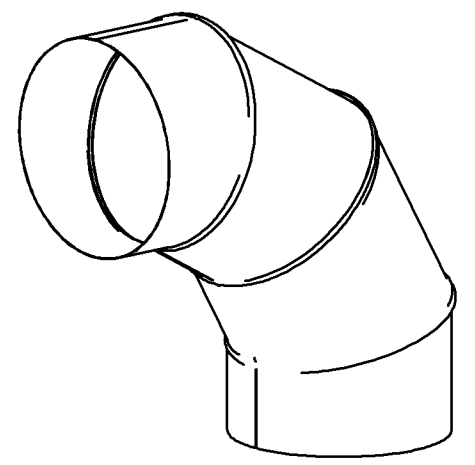


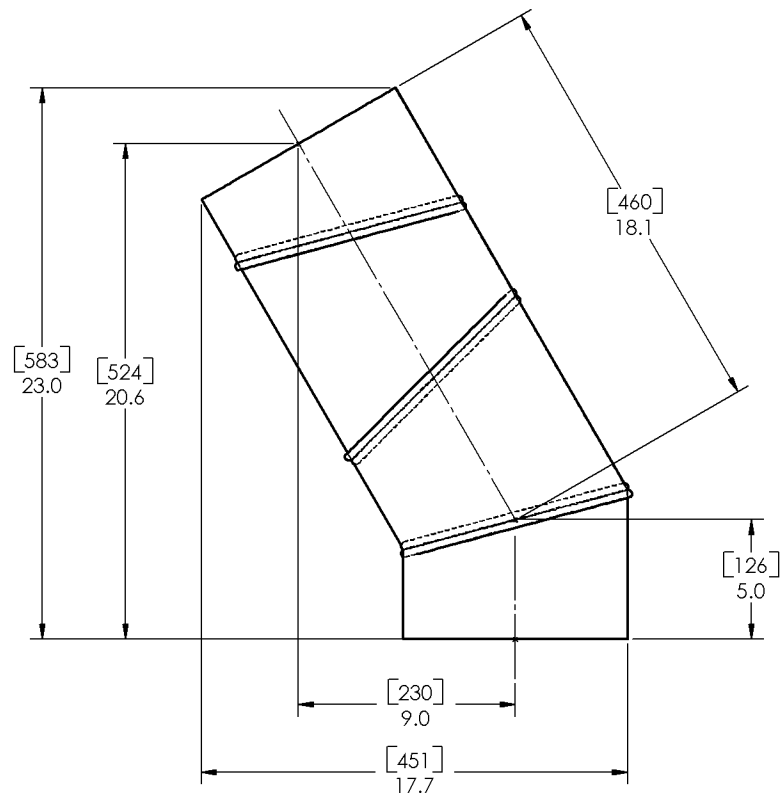
REVISIONS				
ECO	REV.	DESCRIPTION	DATE	INC.
	1		2/17/2006	



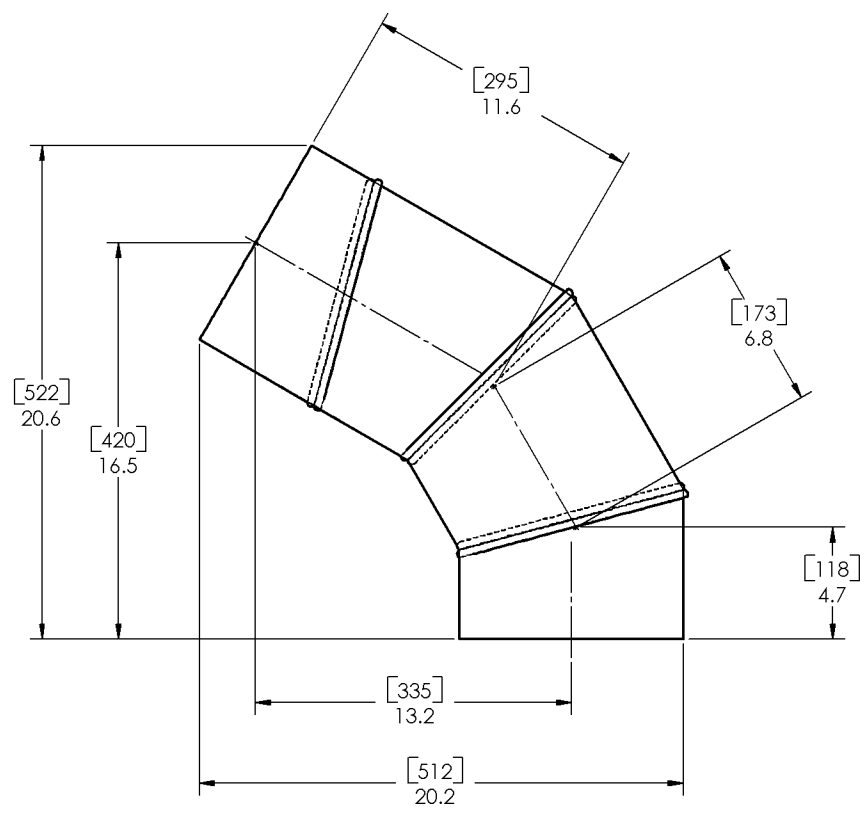
**TOP VIEW
STRAIGHT**



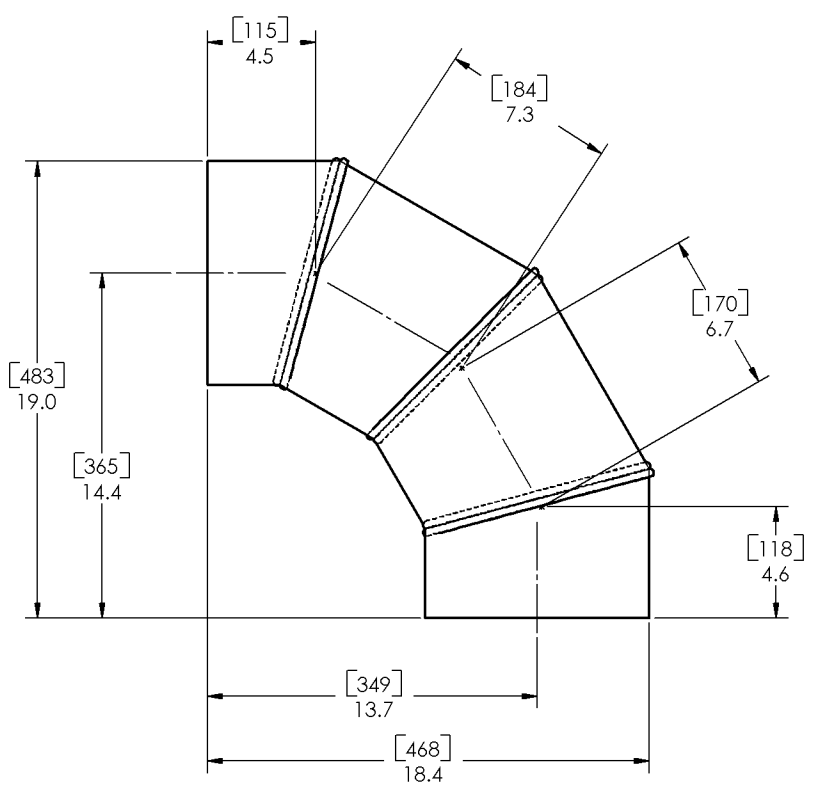
**STRAIGHT
SCALE 1:1**



**30° ANGLE
SCALE 1:1**



**60° ANGLE
SCALE 1:1**



**90° ANGLE
SCALE 1:1**

UNLESS OTHERWISE SPECIFIED: TOLERANCES ANGULAR: $\pm 0.5^\circ$		PROPRIETARY AND CONFIDENTIAL THE INFORMATION CONTAINED IN THIS DRAWING IS THE SOLE PROPERTY OF SOLATUBE. ANY REPRODUCTION IN PART OR AS A WHOLE WITHOUT THE WRITTEN PERMISSION OF SOLATUBE IS PROHIBITED.		 2210 OAK RIDGE WAY VISTA, CALIFORNIA 92081-8341 PHI (760) 587-4400	
INCH	MILLIMETER	DATE		TITLE:	
X $\pm .2$	X $\pm .25$	2/17/06		0-90 DEGREE EXT. TUBE	
XX $\pm .01$	XX $\pm .12$	DRAWN BY		10 INCH	
XXX $\pm .005$	XXX $\pm .025$	STEVENS		REV	
FINISH		DATE		SIZE	
---		---		D	
APPROVED BY		DATE		DWG. NO.	
---		---		10-90DEG-EXT	
DO NOT SCALE DRAWING		---		SCALE: 1:4	
				SHEET 1 OF 1	