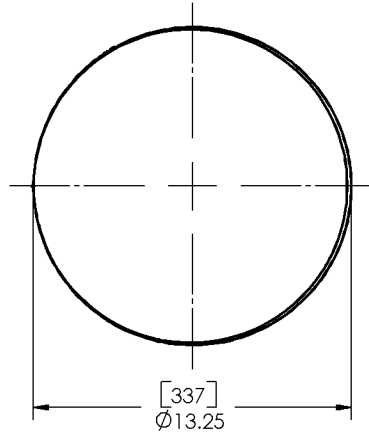
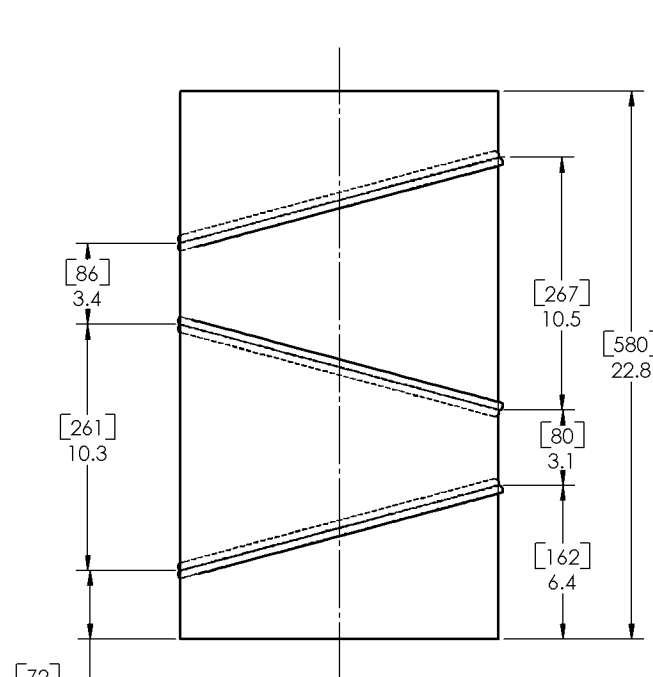
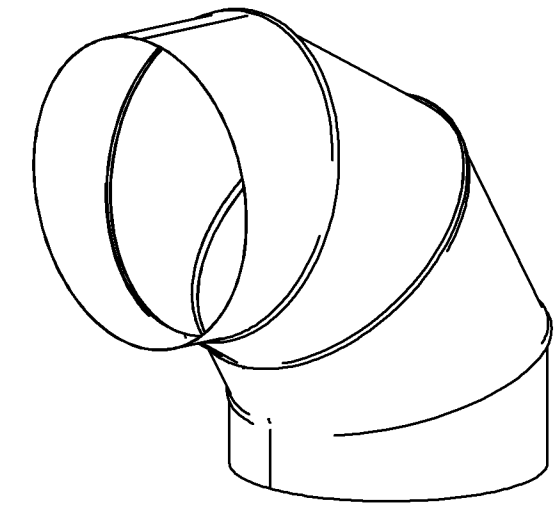


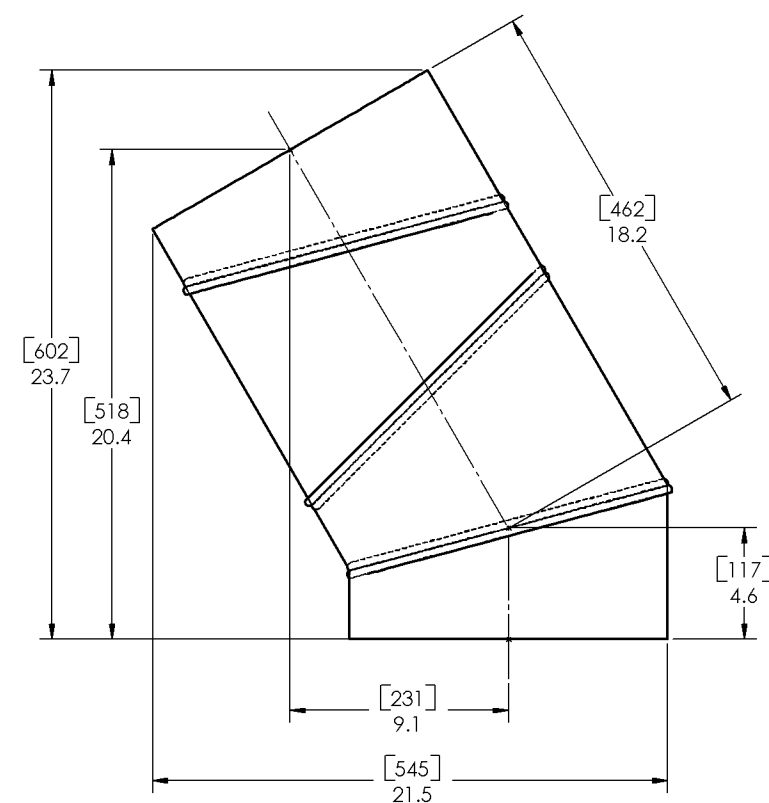
REVISIONS				
ECO	REV.	DESCRIPTION	DATE	INC.
	1		2/17/2006	



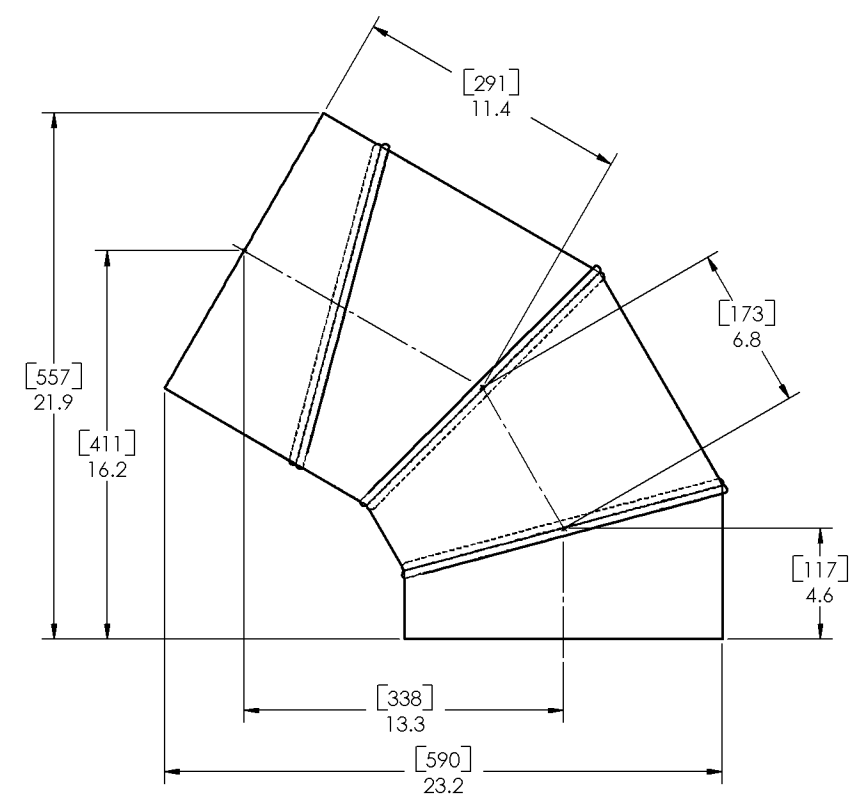
**TOP VIEW
STRAIGHT
SCALE 1:1**



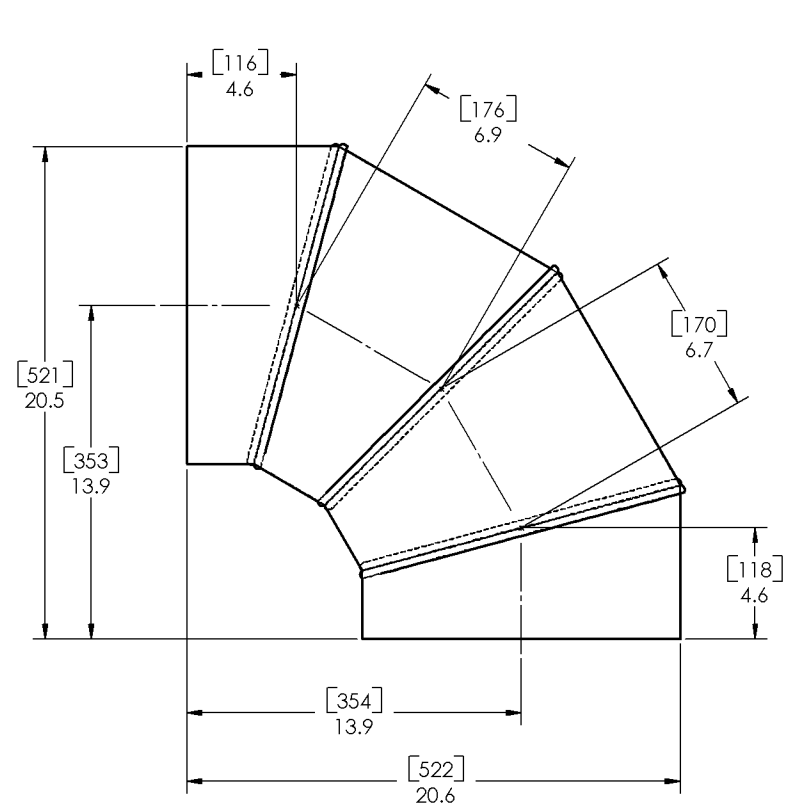
**STRAIGHT
SCALE 1:1**



**30° ANGLE
SCALE 1:1**



**60° ANGLE
SCALE 1:1**



**90° ANGLE
SCALE 1:1**

UNLESS OTHERWISE SPECIFIED:		PROPRIETARY AND CONFIDENTIAL			
TOLERANCES:		THE INFORMATION CONTAINED IN THIS DRAWING IS THE SOLE PROPERTY OF SOLATUBE. ANY REPRODUCTION IN PART OR AS A WHOLE WITHOUT THE WRITTEN PERMISSION OF SOLATUBE IS PROHIBITED.		2210 OAK RIDGE WAY VISTA, CALIFORNIA 92081-8341 PH (760) 587-4400	
ANGULAR: ±0.5°				TITLE: 0-90 DEGREE EXT. TUBE 14 INCH	
INCH	MILLIMETER	DRAWN BY	DATE	SIZE	DWG. NO.
X ± .2	X ± .25	STEVENS	2/17/06	D	14-90DEG-EXT
XX ± .01	XX ± .12	CHECKED BY	DATE	REV	1
XXX ± .005	XXX ± .025	APPROVED BY	DATE		
DO NOT SCALE DRAWING				SHEET 1 OF 1	