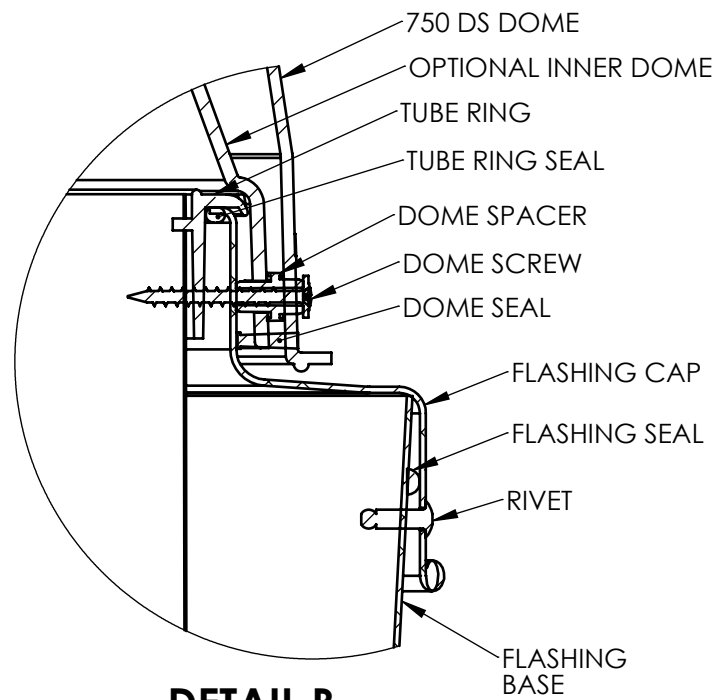
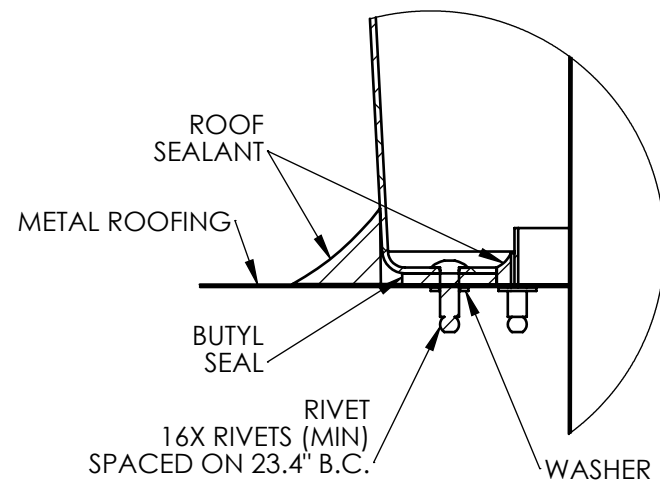


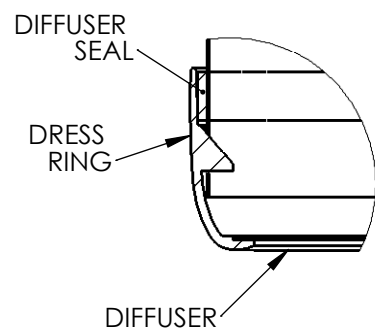
**SOLATUBE 750 DS-O
(21 IN/530 MM)
METAL ROOF FLASHING OPEN CEILING
EXTENSION TUBE ONLY
OPTIONAL INNER DOME**



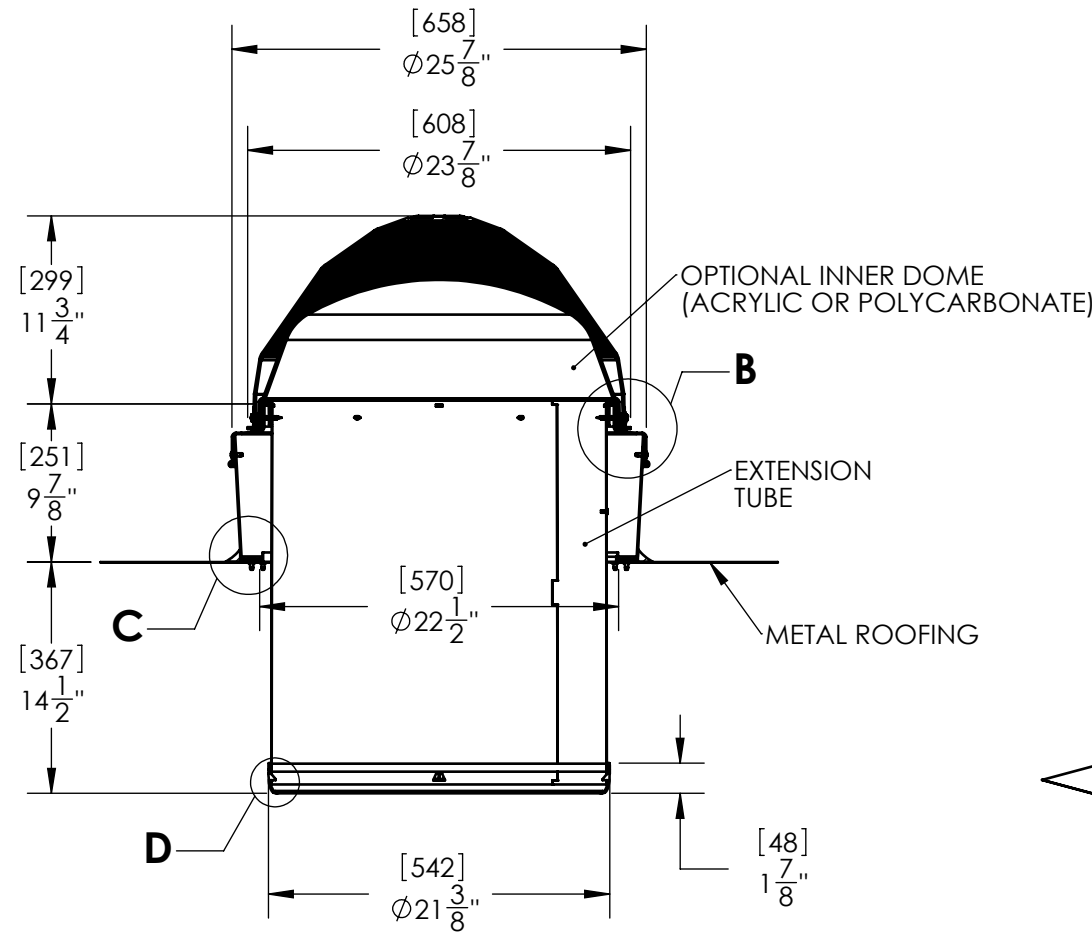
**DETAIL B
SCALE 1 : 6**



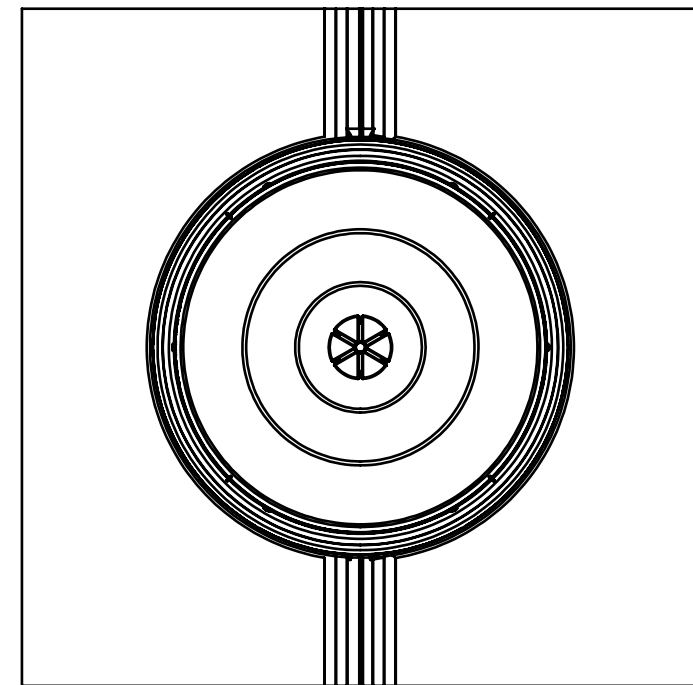
**DETAIL C
SCALE 1 : 6**



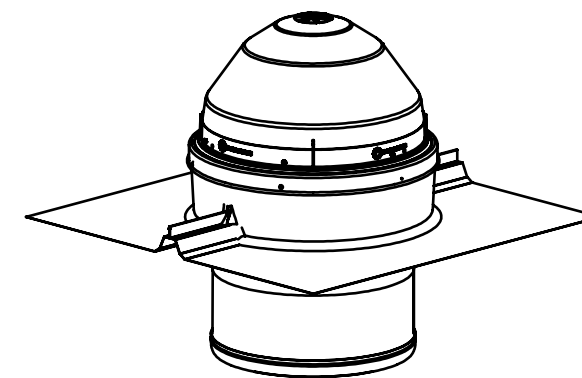
**DETAIL D
SCALE 1 : 6**




FULL SECTION



TOP VIEW



- NOTES:
 1. STRUCTURAL ELEMENTS (ROOFING, RAFTERS, DRYWALL, ETC) BY OTHERS & SHOWN FOR REFERENCE ONLY
 2. ALL TUBE JOINTS & SEAMS TAPED WITH 2" FOIL TAPE (NOT SHOWN)
 3. MINIMUM ROOF SLOPE 2.4 DEGREES

UNLESS OTHERWISE SPECIFIED:		SOLATUBE INTERNATIONAL, INC. COPYRIGHT 2010 WWW.SOLATUBE.COM		 2210 OAK RIDGE WAY VISTA, CALIFORNIA 92081-8341 PH (760) 597-4400	
TOLERANCES ANGULAR: $\pm 0.5^\circ$ INCH $.X \pm .10$					
MATERIAL	---	DRAWN BY	DATE	TITLE: 750 DS-O METAL ROOF FLASHING / OPEN CEILING	
FINISH	---	CHECKED BY	DATE		
DO NOT SCALE DRAWING		APPROVED BY	DATE		
				SIZE B	DWG. NO. WEB-750-FSM-OC-NA
				UNITS: INCH [MM]	SCALE: 1:12
				SHEET 1 OF 1	REV 3