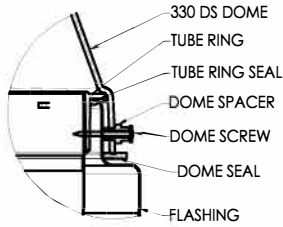
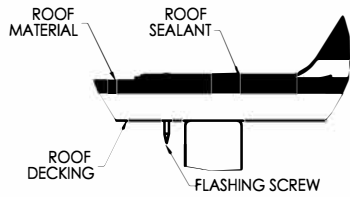


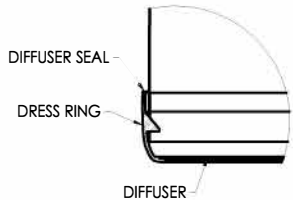
**SOLATUBE 330 DS-O
(21 IN/530 MM)
4" SELF FLASHING OPEN CEILING - ANGLE ADAPTER**



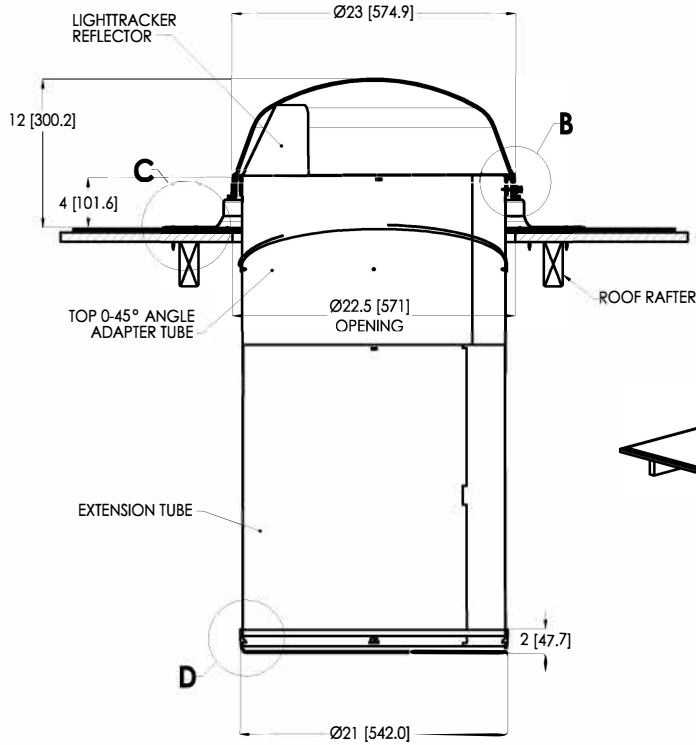
**DETAIL B
SCALE 3 : 1**



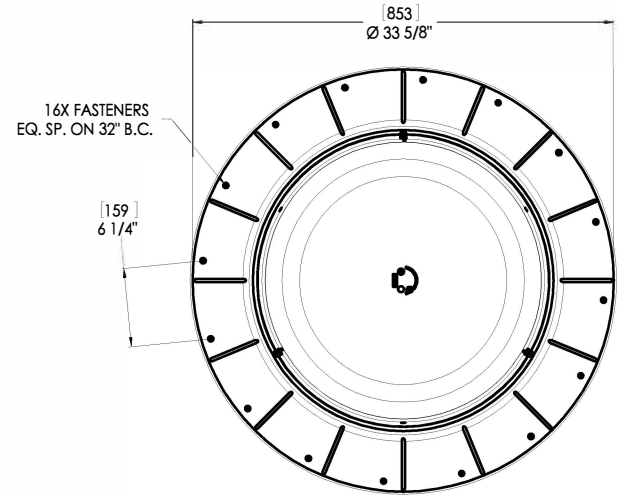
**DETAIL C
SCALE 3 : 1**



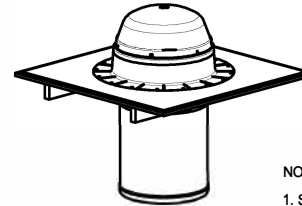
**DETAIL D
SCALE 3 : 1**



**FULL SECTION
SCALE 1:1**



**TOP VIEW
SCALE 1 : 2**



NOTES:

1. STRUCTURAL ELEMENTS (PLYWOOD, RAFTERS, DRYWALL ETC.) BY OTHERS & SHOWN FOR REFERENCE ONLY.
2. ALL TUBE JOINTS & SEAMS TAPED WITH 2" FOIL TAPE (NOT SHOWN).
3. DIMENSIONS IN BRACKETS ARE METRIC UNLESS OTHERWISE SPECIFIED.
4. 6" MIN CLEARANCE SHOULD BE MAINTAINED FROM ALL SOLATUBE COMPONENTS AND OTHER PLENUM COMPONENTS.

UNLESS OTHERWISE SPECIFIED: DIMENSIONS ARE IN INCHES TOLERANCES: ANGULAR ± 0.5° X ± .1 XX ± .02 XXX ± .005		SOLATUBE INTERNATIONAL, INC. COPYRIGHT 2013 WWW.SOLATUBE.COM		 2550 DUK WEDGE RD. WESTLAKE, CALIFORNIA 91361-6114 PH (909) 907-6600	
TITLE: 330 DS (21") SELF-FLASHING OPEN CEILING		DRAWN BY: STEVENS		DATE: 8/12/13	
FINISH: -		CHECKED BY: -		DATE: -	
DO NOT SCALE DRAWING		APPROVED BY: -		DATE: -	
SCALE: 1:1		DWG. NO.: WEB-330-SF4-OC-AA		REV: 1	
				SHEET 1 OF 1	