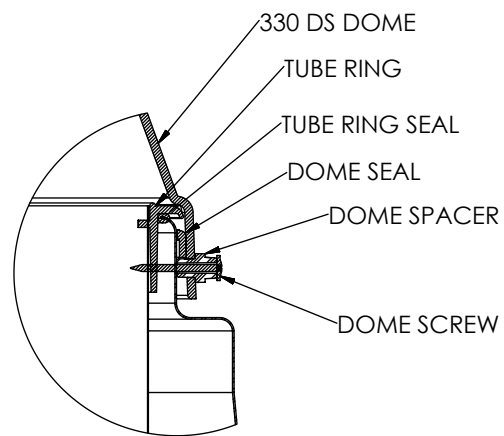
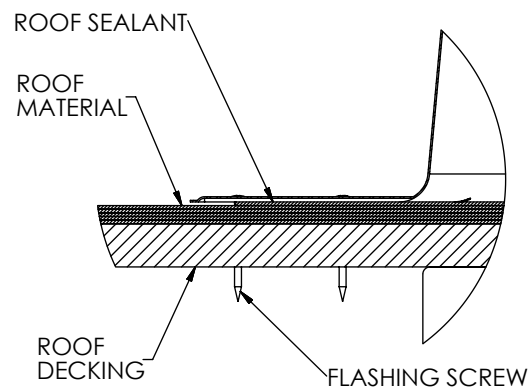


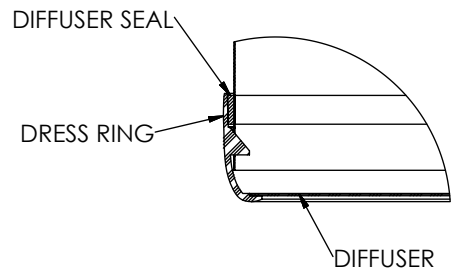
**SOLATUBE 330 DS-O  
(21 IN / 530 MM)  
11" SELF-FLASHING  
OPEN CEILING  
W/ ANGLE ADAPTER**



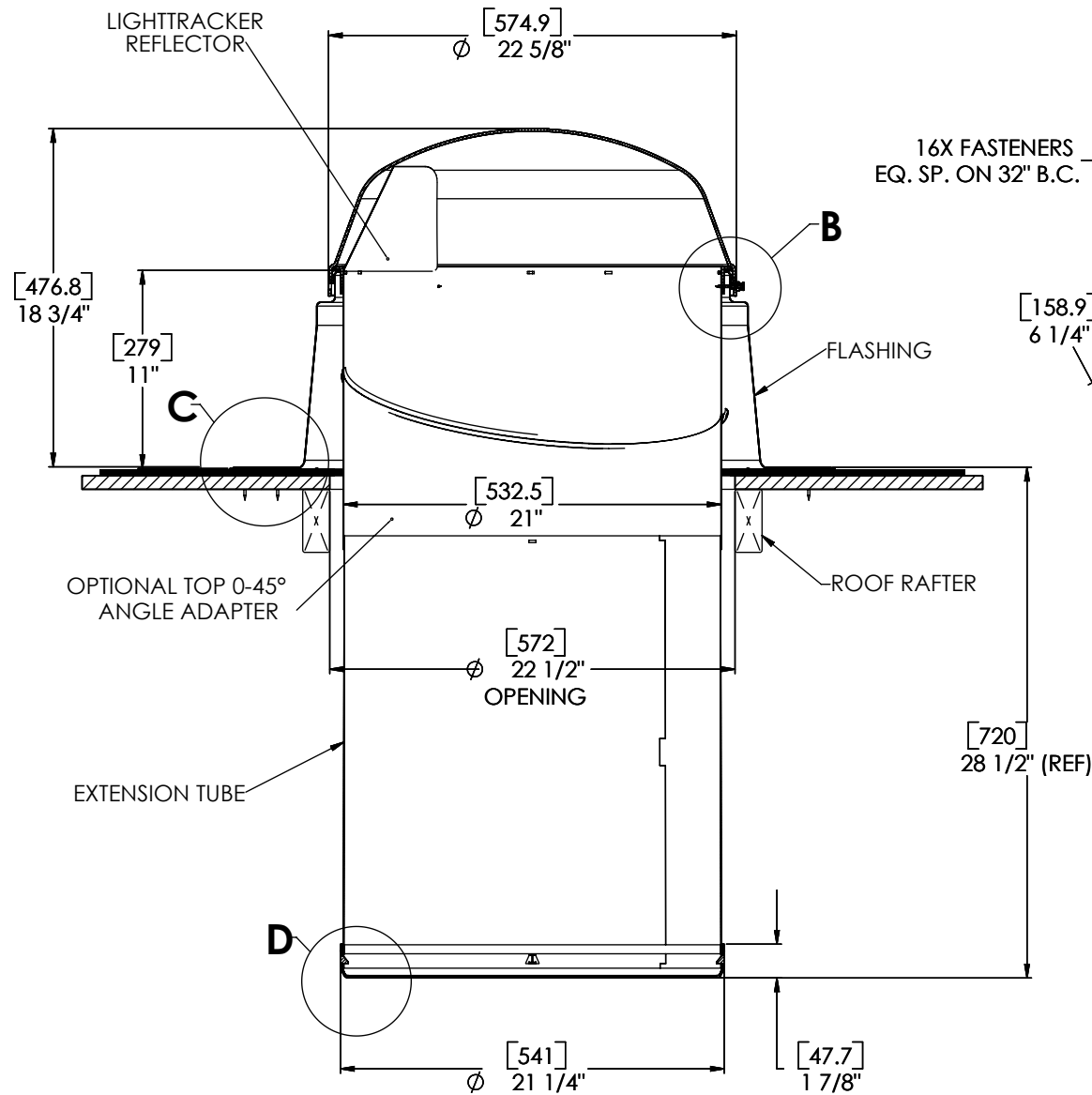
**DETAIL B  
SCALE 3 : 1**



**DETAIL C  
SCALE 3 : 1**

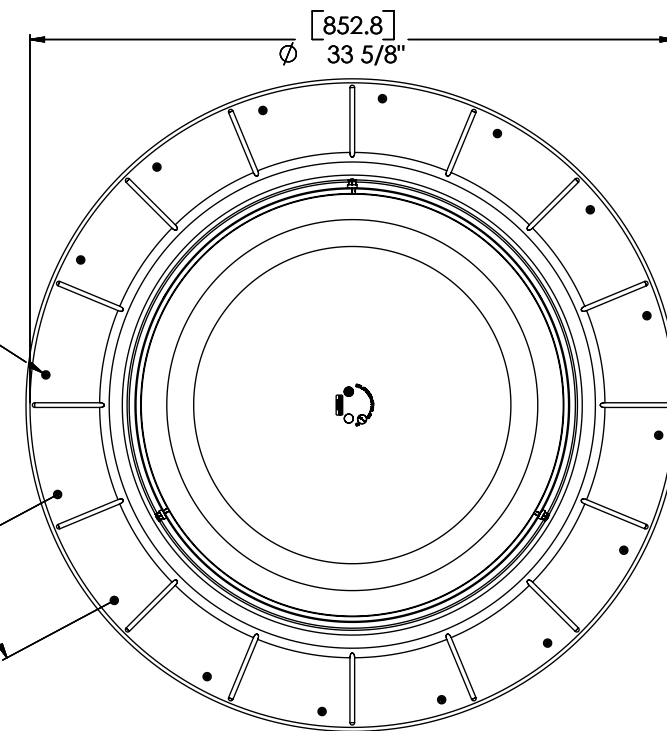


**DETAIL D  
SCALE 3 : 1**

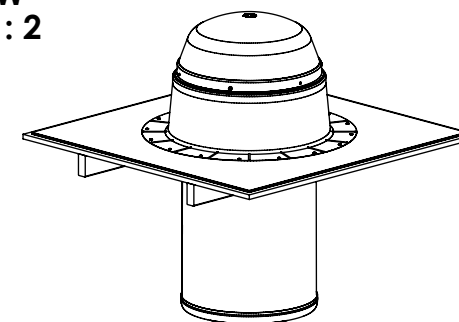


**FULL SECTION  
SCALE 1:1**

16X FASTENERS  
EQ. SP. ON 32" B.C.




**TOP VIEW  
SCALE 1 : 2**



**NOTES:**

1. STRUCTURAL ELEMENTS (PLYWOOD, RAFTERS, DRYWALL ETC.) BY OTHERS & SHOWN FOR REFERENCE ONLY.
2. ALL TUBE JOINTS & SEAMS TAPED WITH 2" FOIL TAPE (NOT SHOWN).
3. DIMENSIONS IN BRACKETS ARE METRIC UNLESS OTHERWISE SPECIFIED.
4. 6" MIN CLEARANCE SHOULD BE MAINTAINED FROM ALL SOLATUBE COMPONENTS AND OTHER PLENUM COMPONENTS.

UNLESS OTHERWISE SPECIFIED: DIMENSIONS ARE IN INCHES TOLERANCES: ANGULAR: ±0.5° X ± .1 .XX ± .02 .XXX ± .005		SOLATUBE INTERNATIONAL, INC. COPYRIGHT 2011 WWW.SOLATUBE.COM		 <b>SOLATUBE</b> <small>2210 OAK RIDGE WAY VISTA, CALIFORNIA 92081-8341 PH (760) 597-4400</small>	
MATERIAL -	DRAWN BY STEVENS	DATE 7/1/08	TITLE: <b>330 DS-O SELF-FLASHING OPEN CEILING</b>		
FINISH -	CHECKED BY -	DATE -	SIZE	DWG. NO. <b>WEB-330-SF-OC</b>	REV <b>2</b>
DO NOT SCALE DRAWING			SCALE: 1:1	SHEET 1 OF 1	