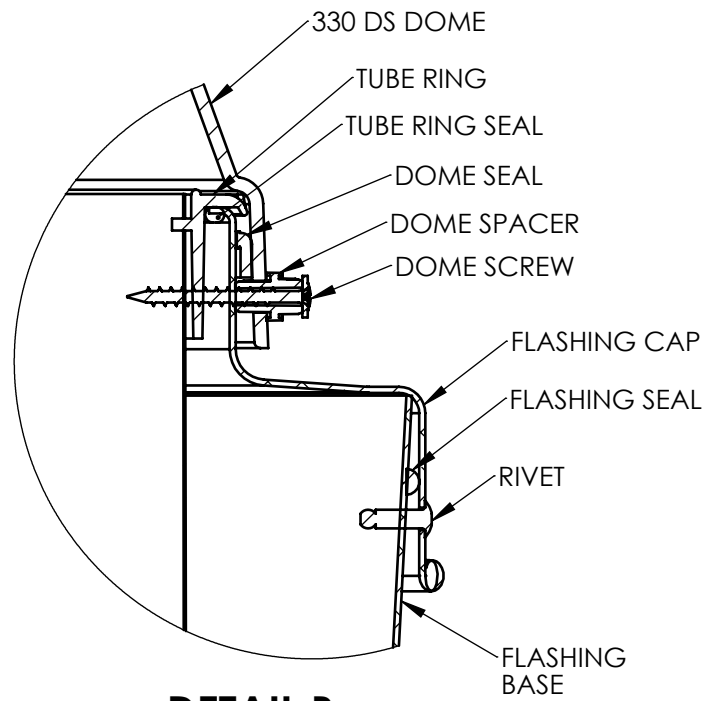
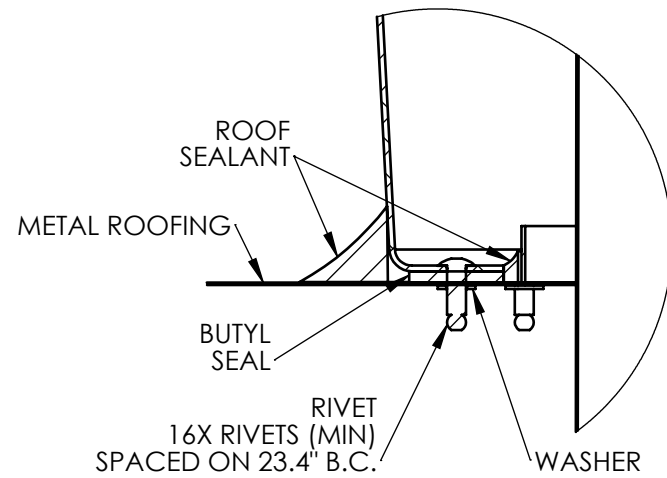


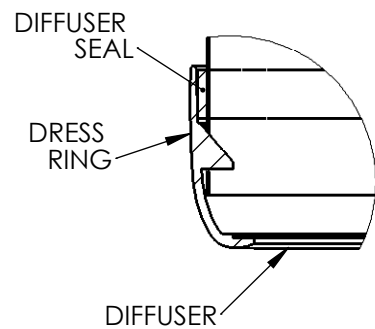
**SOLATUBE 330 DS-O
(21 IN/530 MM)
METAL ROOF FLASHING OPEN CEILING
EXTENSION TUBE ONLY**



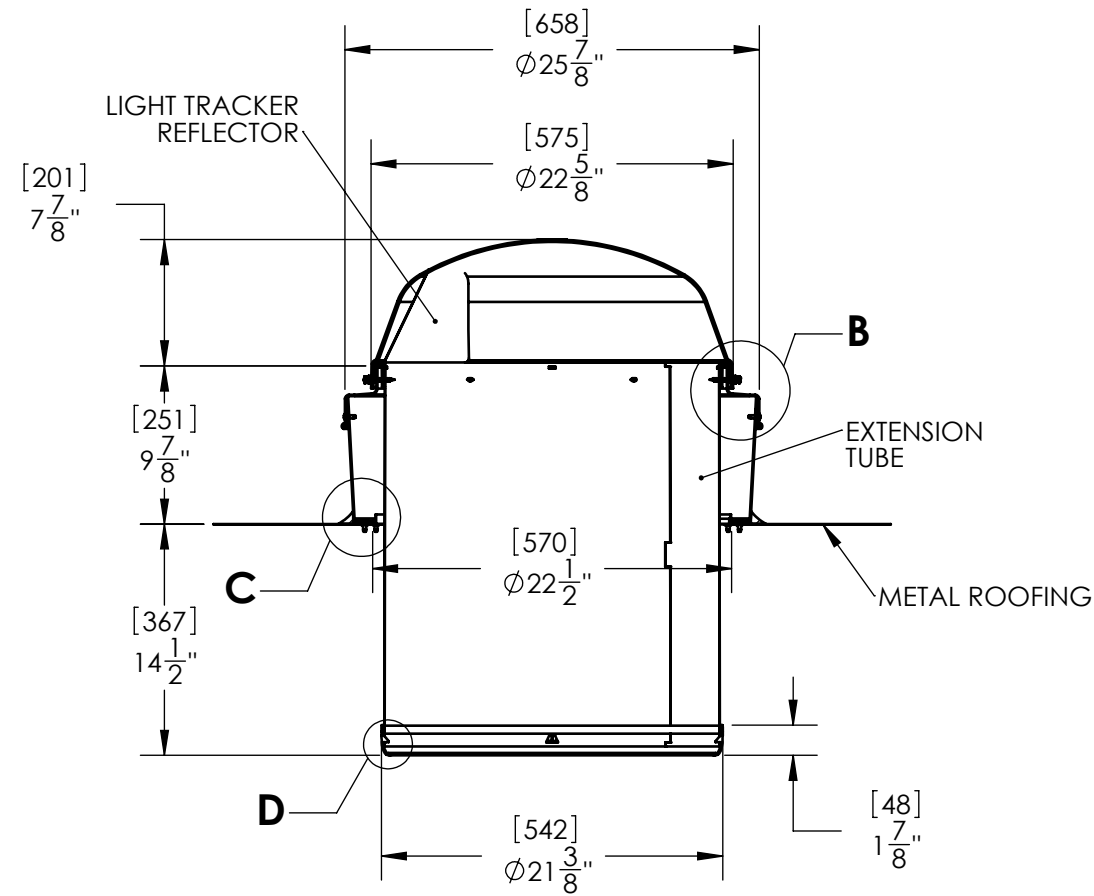
**DETAIL B
SCALE 1 : 6**



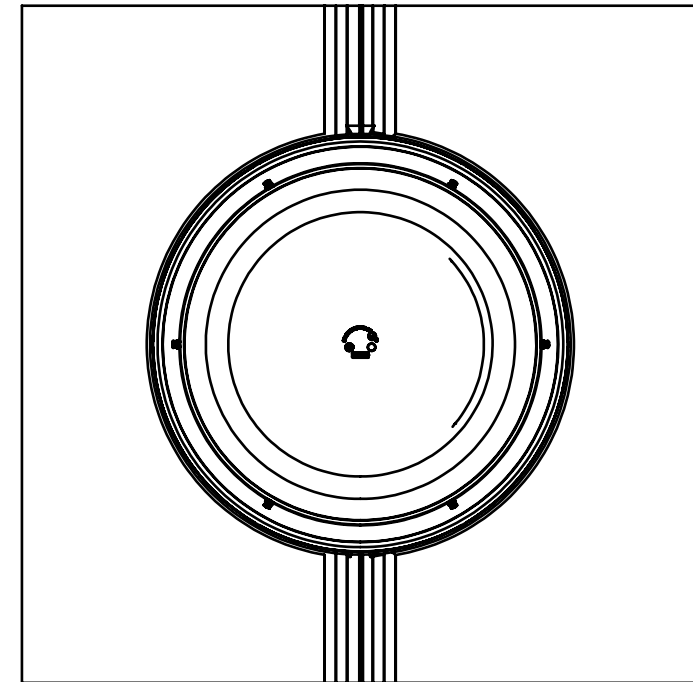
**DETAIL C
SCALE 1 : 6**



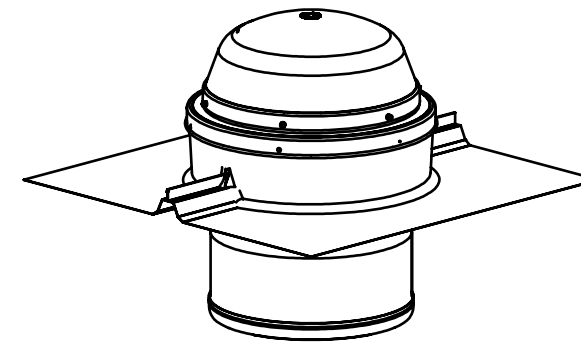
**DETAIL D
SCALE 1 : 6**




FULL SECTION



TOP VIEW



- NOTES:
 1. STRUCTURAL ELEMENTS (ROOFING, RAFTERS, DRYWALL, ETC) BY OTHERS & SHOWN FOR REFERENCE ONLY
 2. ALL TUBE JOINTS & SEAMS TAPED WITH 2\"/>

UNLESS OTHERWISE SPECIFIED:		SOLATUBE INTERNATIONAL, INC. COPYRIGHT 2010 WWW.SOLATUBE.COM		 2210 OAK RIDGE WAY VISTA, CALIFORNIA 92081-8341 PH (760) 597-4400		
TOLERANCES ANGULAR: $\pm 0.5^\circ$ INCH $.X \pm .10$						
MATERIAL	---	DRAWN BY	DATE	TITLE: 330 DS-O METAL ROOF FLASHING / OPEN CEILING		
FINISH	---	CHECKED BY	DATE			
DO NOT SCALE DRAWING		APPROVED BY	DATE			
				SIZE	DWG. NO.	REV
				B	WEB-330-FSM-OC-NA	2
				UNITS: INCH [MM]	SCALE: 1:12	SHEET 1 OF 1