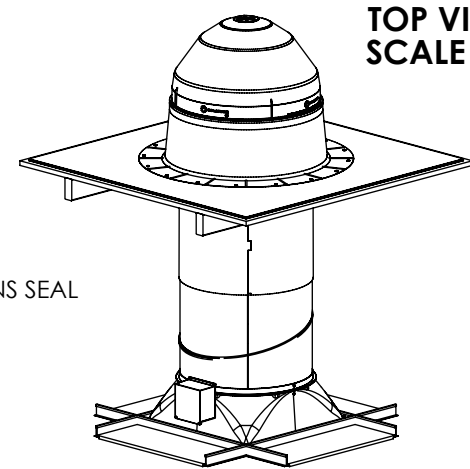
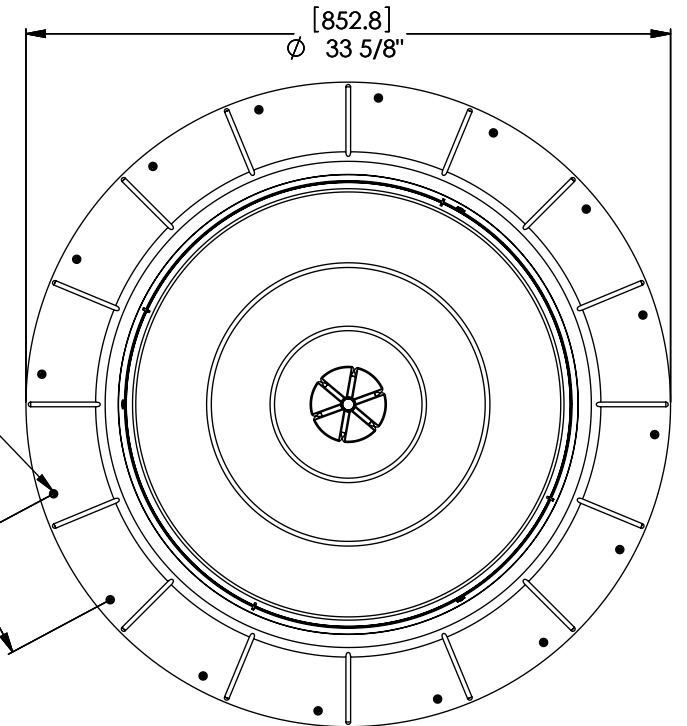
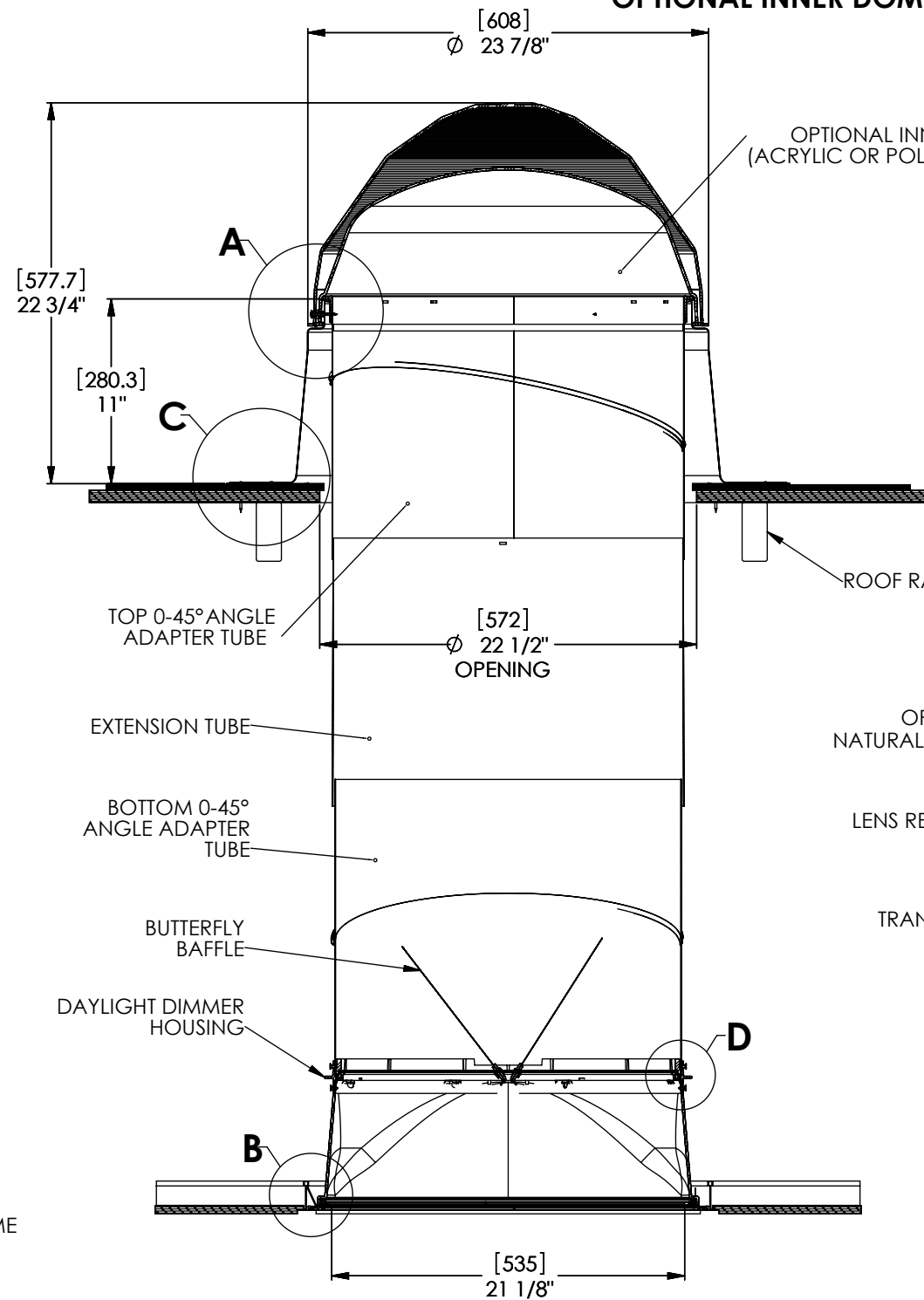
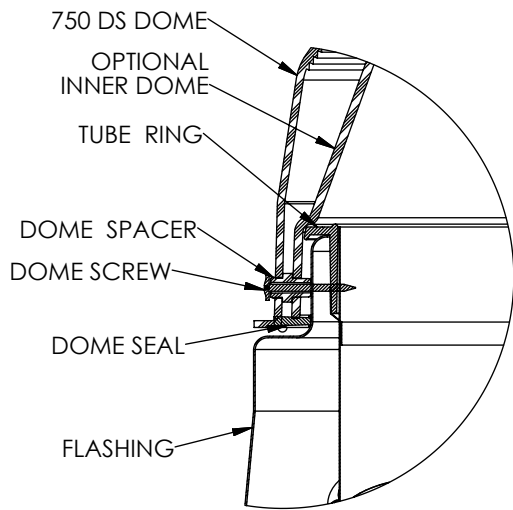


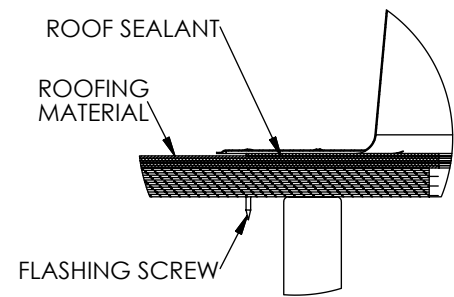
**SOLATUBE 750 DS-C
(21 IN / 530 MM)
11" SELF FLASHING
SUSPENDED CEILING WITH
OPTIONAL INNER DOME & DAYLIGHT DIMMER**



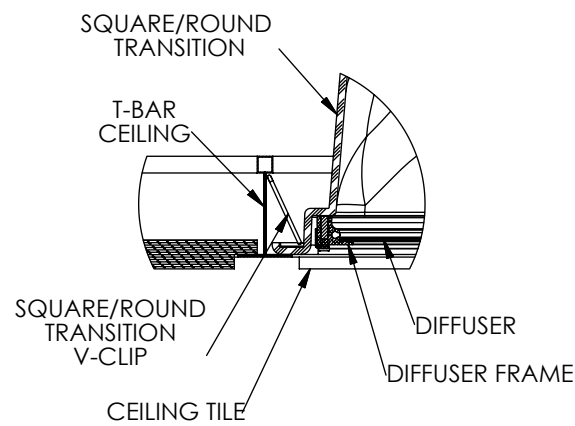
**TOP VIEW
SCALE 1:1**



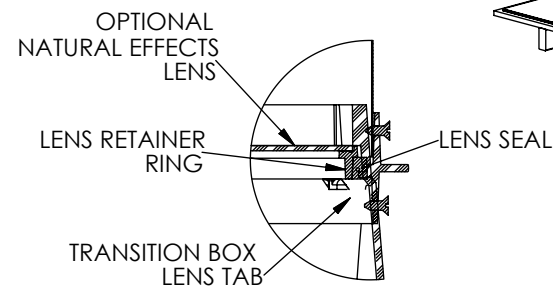
**DETAIL A
SCALE 3:1**



**DETAIL C
SCALE 2:1**



**DETAIL B
SCALE 3:1**



**DETAIL D
SCALE 3:1**

NOTES:

1. STRUCTURAL ELEMENTS (PLYWOOD, RAFTERS, DRYWALL ETC.) BY OTHERS & SHOWN FOR REFERENCE ONLY.
2. ALL TUBE JOINTS & SEAMS TAPED WITH 2" FOIL TAPE (NOT SHOWN).
3. DIMENSIONS IN BRACKETS ARE METRIC UNLESS OTHERWISE SPECIFIED.
4. 6" MIN CLEARANCE SHOULD BE MAINTAINED FROM ALL SOLATUBE COMPONENTS AND OTHER PLENUM COMPONENTS.

UNLESS OTHERWISE SPECIFIED: DIMENSIONS ARE IN INCHES TOLERANCES: ANGULAR: ±0.5° X ± .1 .XX ± .02 .XXX ± .005		SOLATUBE INTERNATIONAL, INC. COPYRIGHT 2011 WWW.SOLATUBE.COM		 2210 OAK RIDGE WAY VISTA, CALIFORNIA 92081-8341 PH (760) 597-4400 CE	
MATERIAL	-	DRAWN BY	STEVENS	DATE	3/11/09
FINISH	-	CHECKED BY	-	DATE	-
DO NOT SCALE DRAWING	-	APPROVED BY	-	DATE	-
TITLE: 750 DS (21") SELF FLASHING SUSPENDED CEILING				SIZE	DWG. NO. WEB-750-SF11-SC-DD
				SCALE: 1:1	REV 2
				SHEET 1 OF 1	