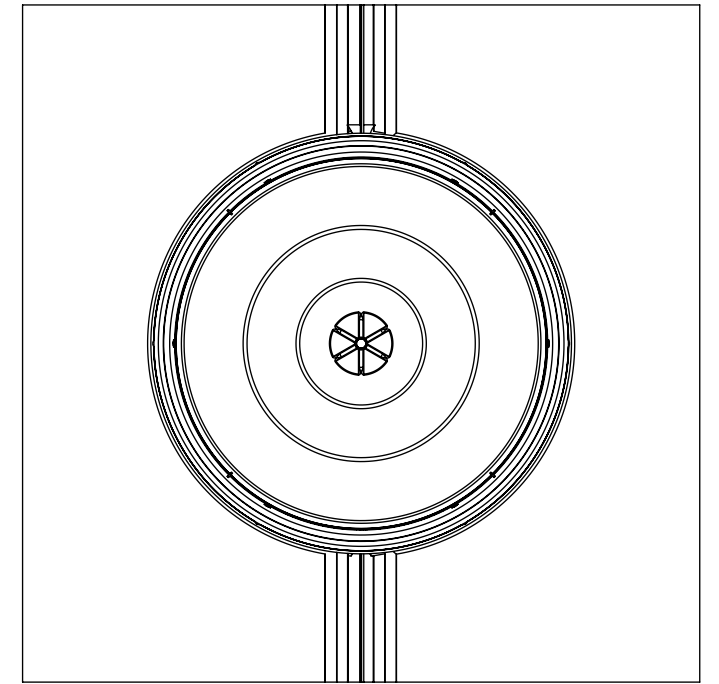
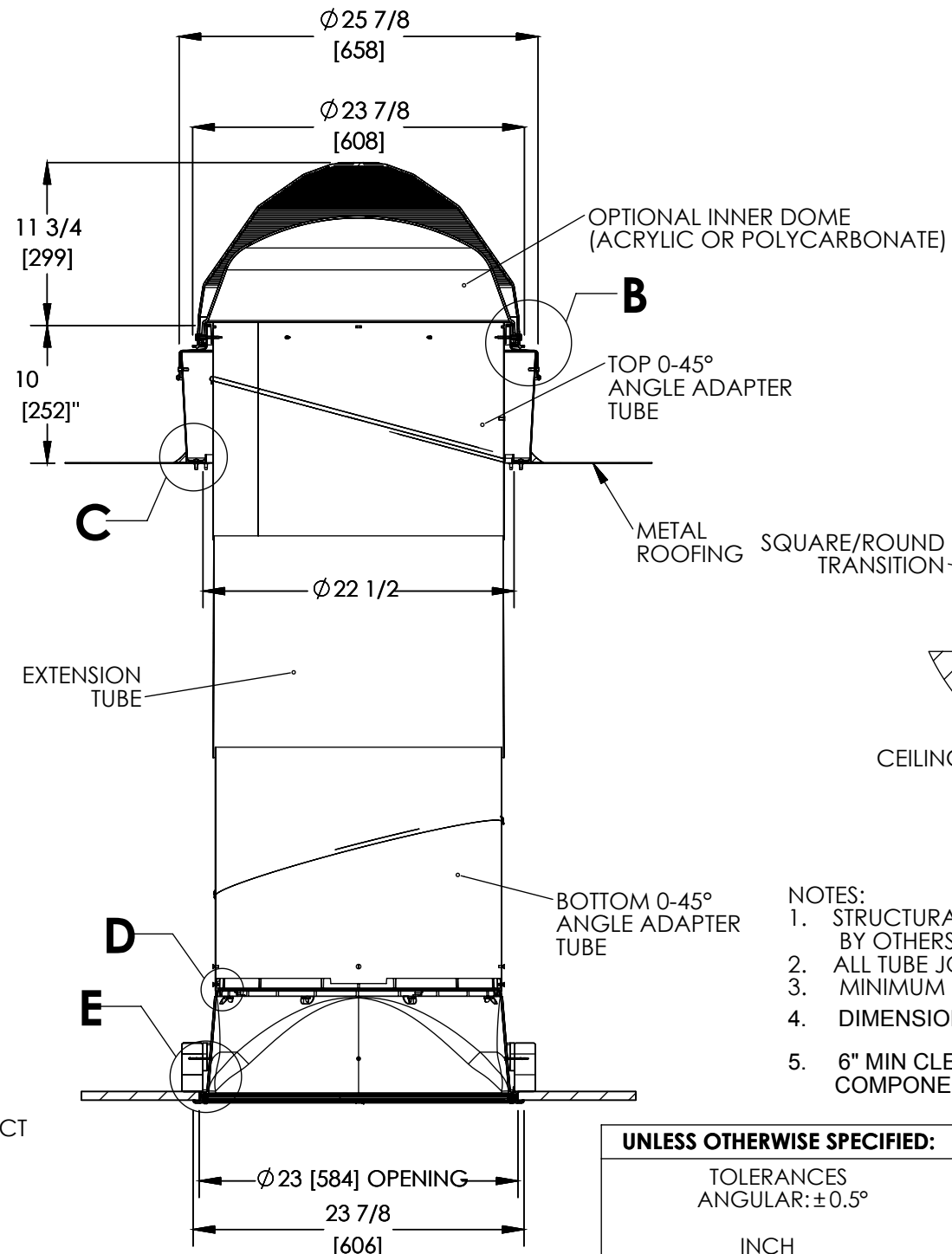
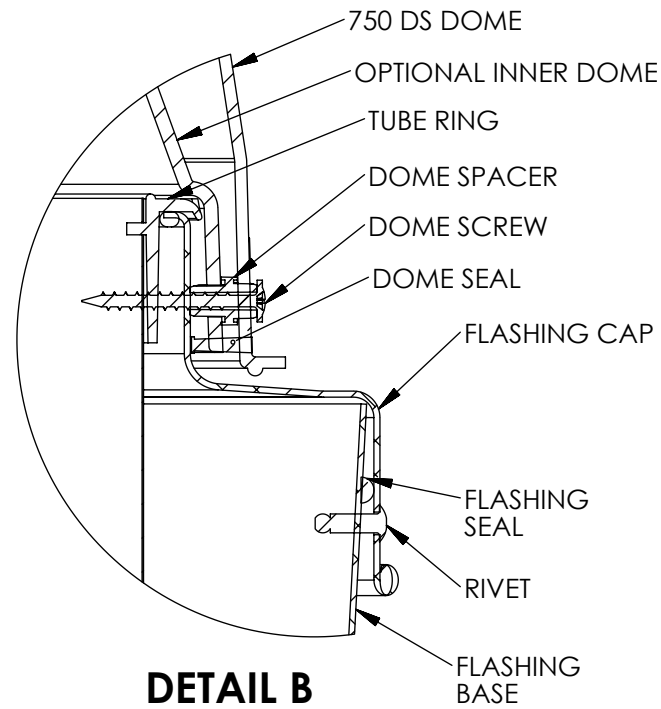
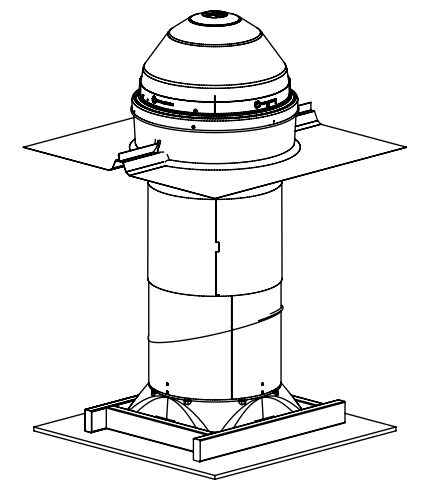


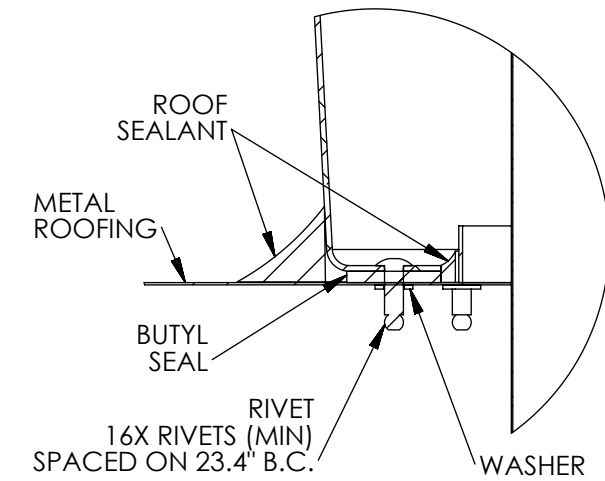
**SOLATUBE 750 DS-C
(21 IN/530 MM)
METAL ROOF FLASHING HARD CEILING
OPTIONAL INNER DOME**



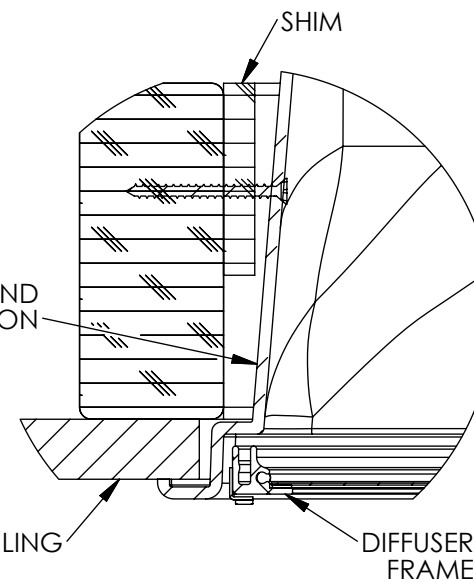
TOP VIEW



**DETAIL B
SCALE 1 : 6**

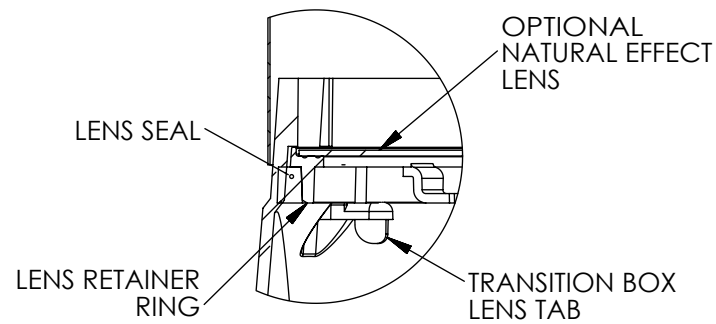


**DETAIL C
SCALE 1 : 6**



**DETAIL E
SCALE 1 : 6**

- NOTES:**
1. STRUCTURAL ELEMENTS (ROOFING, RAFTERS, DRYWALL, ETC) BY OTHERS & SHOWN FOR REFERENCE ONLY
 2. ALL TUBE JOINTS & SEAMS TAPED WITH 2" FOIL TAPE (NOT SHOWN)
 3. MINIMUM ROOF SLOPE 2.4 DEGREES
 4. DIMENSIONS IN BRACKETS ARE METRIC UNLESS OTHERWISE SPECIFIED.
 5. 6" MIN CLEARANCE SHOULD BE MAINTAINED FROM ALL SOLATUBE COMPONENTS AND OTHER PLENUM COMPONENTS.



**DETAIL D
SCALE 1 : 6**

FULL SECTION

UNLESS OTHERWISE SPECIFIED:		SOLATUBE INTERNATIONAL, INC. COPYRIGHT 2011	
TOLERANCES ANGULAR: $\pm 0.5^\circ$		WWW.SOLATUBE.COM	
INCH .X $\pm .10$		DRAWN BY STEVENS	DATE 2/15/10
MATERIAL -- --		CHECKED BY --	DATE --
FINISH -- --		APPROVED BY --	DATE --
DO NOT SCALE DRAWING			



TITLE: 750 DS-C METAL ROOF FLASHING/ HARD CEILING		
SIZE B	DWG. NO. WEB-750-FSM-HC	REV 4
UNITS: INCH [MM]	SCALE: 1:12	SHEET 1 OF 1