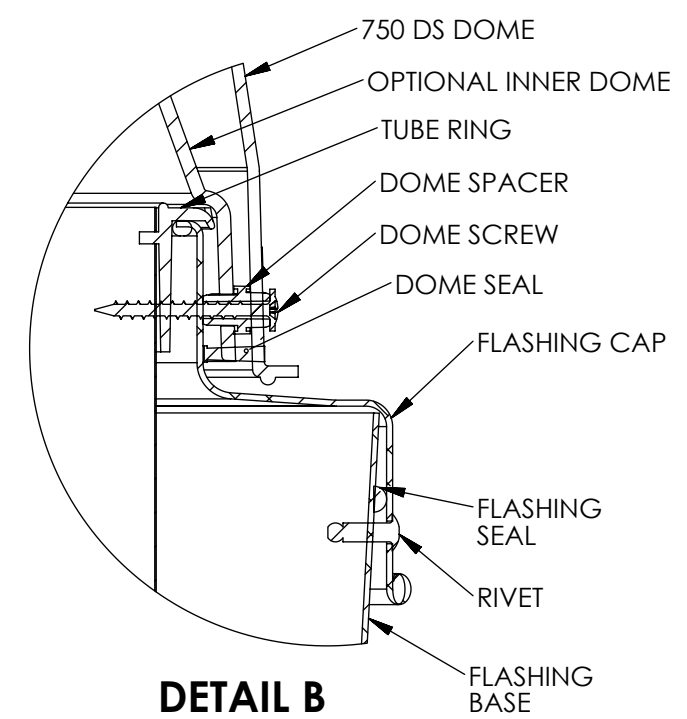


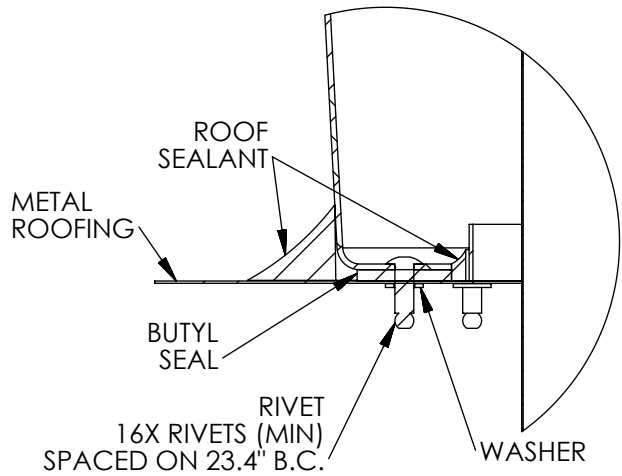
**SOLATUBE 750 DS-C  
(21 IN/530 MM)  
METAL ROOF FLASHING SUSPENDED CEILING  
OPTIONAL INNER DOME**

D  
C  
B  
A

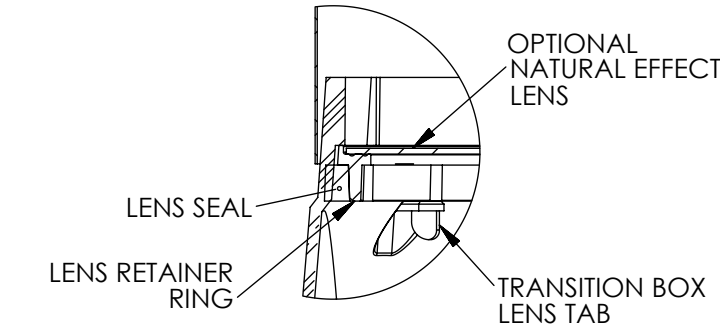
D  
C  
B  
A



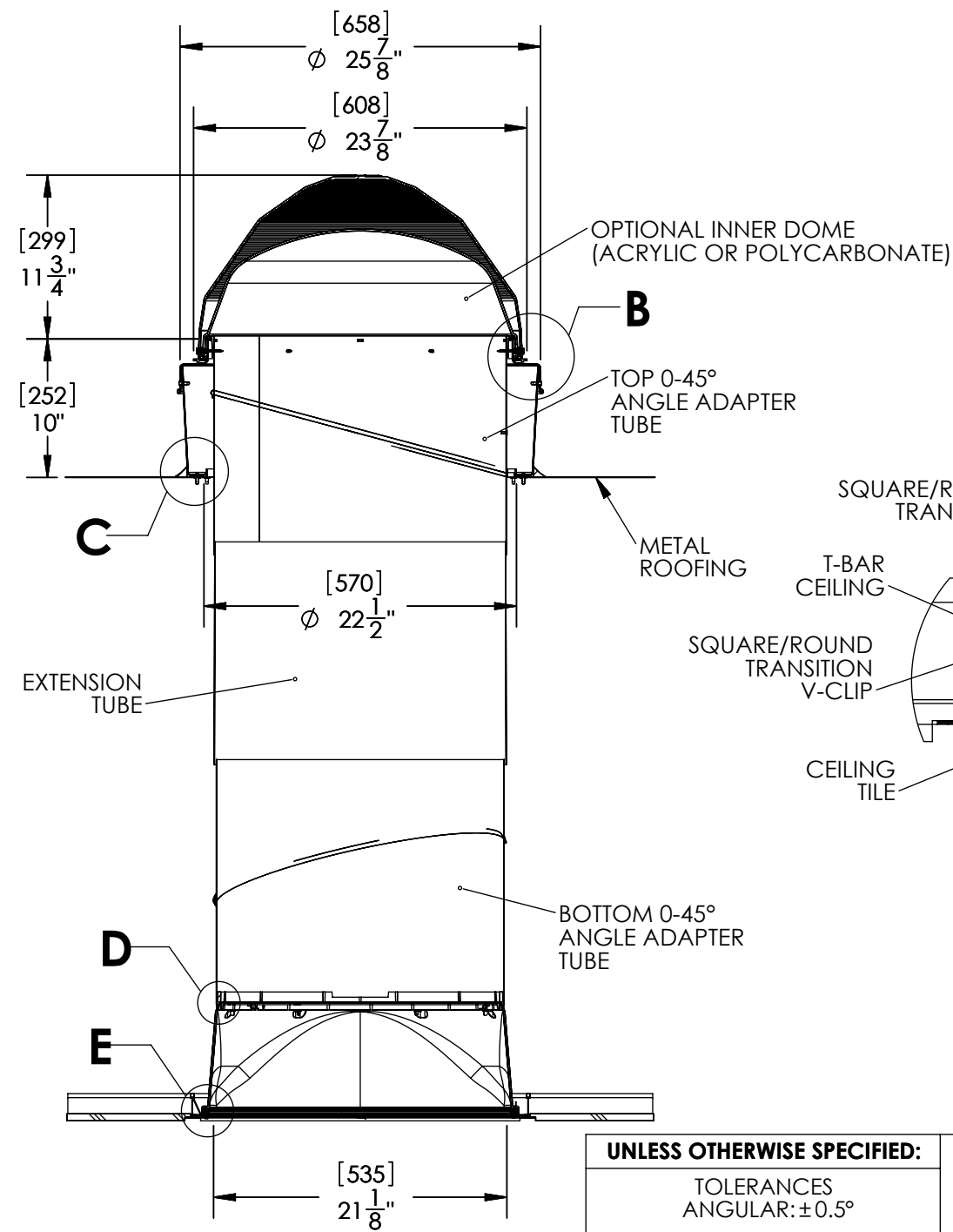
**DETAIL B  
SCALE 1 : 6**



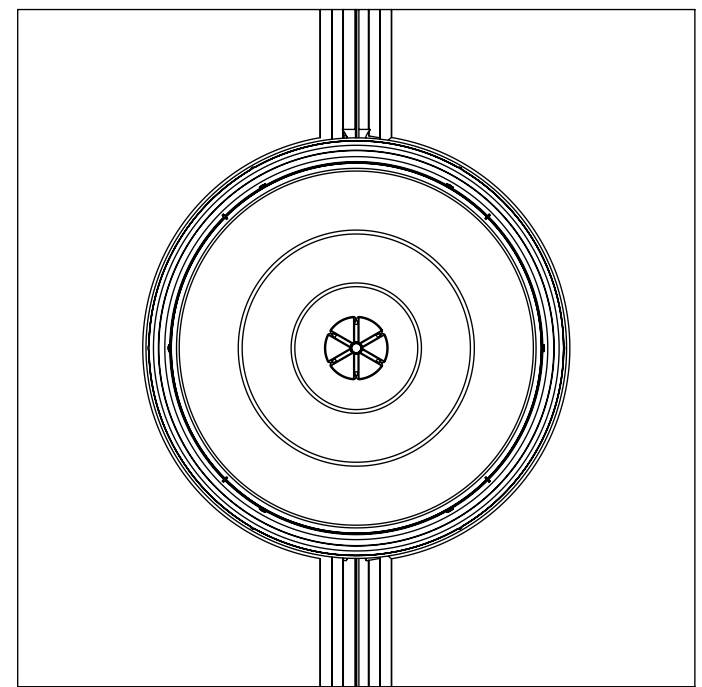
**DETAIL C  
SCALE 1 : 6**



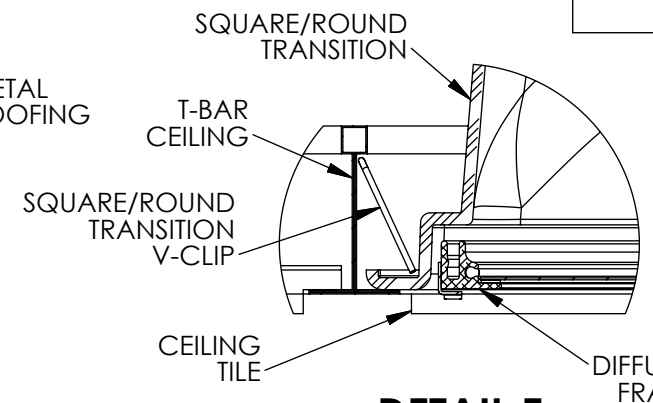
**DETAIL D  
SCALE 1 : 6**



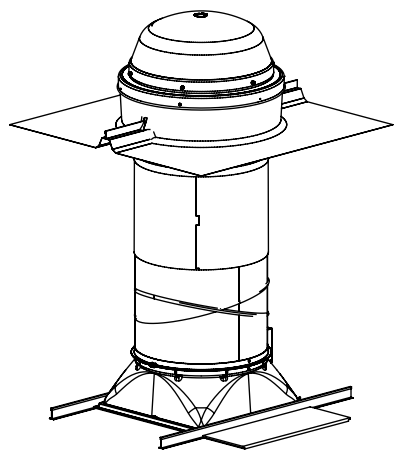
**FULL SECTION**



**TOP VIEW**



**DETAIL E  
SCALE 1 : 6**



- NOTES:**
1. STRUCTURAL ELEMENTS (ROOFING, RAFTERS, DRYWALL, ETC) BY OTHERS & SHOWN FOR REFERENCE ONLY
  2. ALL TUBE JOINTS & SEAMS TAPED WITH 2" FOIL TAPE (NOT SHOWN)
  3. MINIMUM ROOF SLOPE 2.4 DEGREES
  4. DIMENSIONS IN BRACKETS ARE METRIC UNLESS OTHERWISE SPECIFIED.
  5. 6" MIN CLEARANCE SHOULD BE MAINTAINED FROM ALL SOLATUBE COMPONENTS AND OTHER PLENUM COMPONENTS.

<b>UNLESS OTHERWISE SPECIFIED:</b>		
TOLERANCES ANGULAR: ±0.5°		
INCH .X ± .10		
<b>SOLATUBE INTERNATIONAL, INC. COPYRIGHT 2011 WWW.SOLATUBE.COM</b>		
MATERIAL	DRAWN BY	DATE
--	STEVENS	2/15/10
FINISH	CHECKED BY	DATE
--	--	--
DO NOT SCALE DRAWING	APPROVED BY	DATE
--	--	--



TITLE: <b>750 DS-C METAL ROOF FLSHG./SUSPENDED CEILING</b>		
SIZE	DWG. NO.	REV
<b>B</b>	<b>WEB-750-FSM-SC</b>	<b>4</b>
UNITS: INCH [MM]	SCALE: 1:12	SHEET 1 OF 1