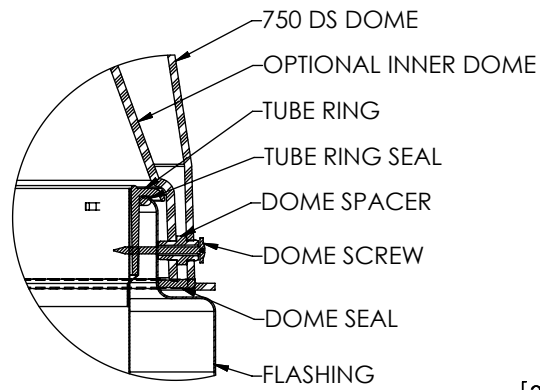
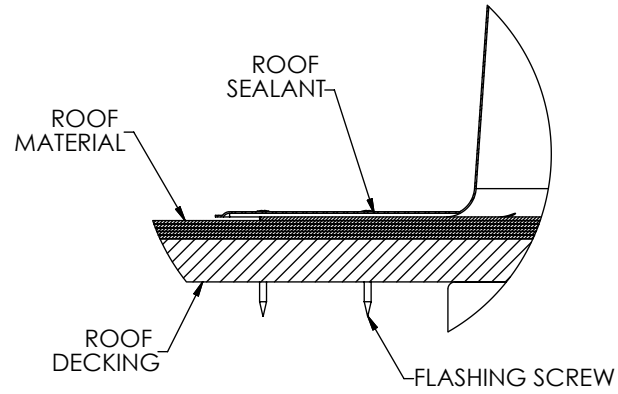


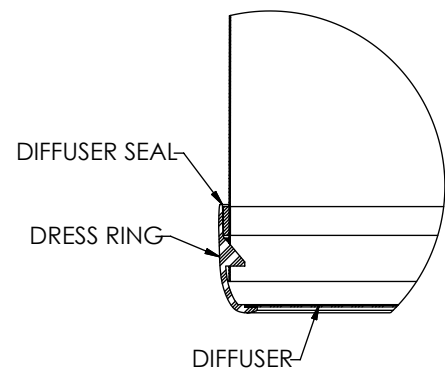
**SOLATUBE 750 DS-O
(21 IN/530 MM)
8" SELF FLASHING OPEN CEILING - ANGLE ADAPTER
WITH OPTIONAL INNER DOME**



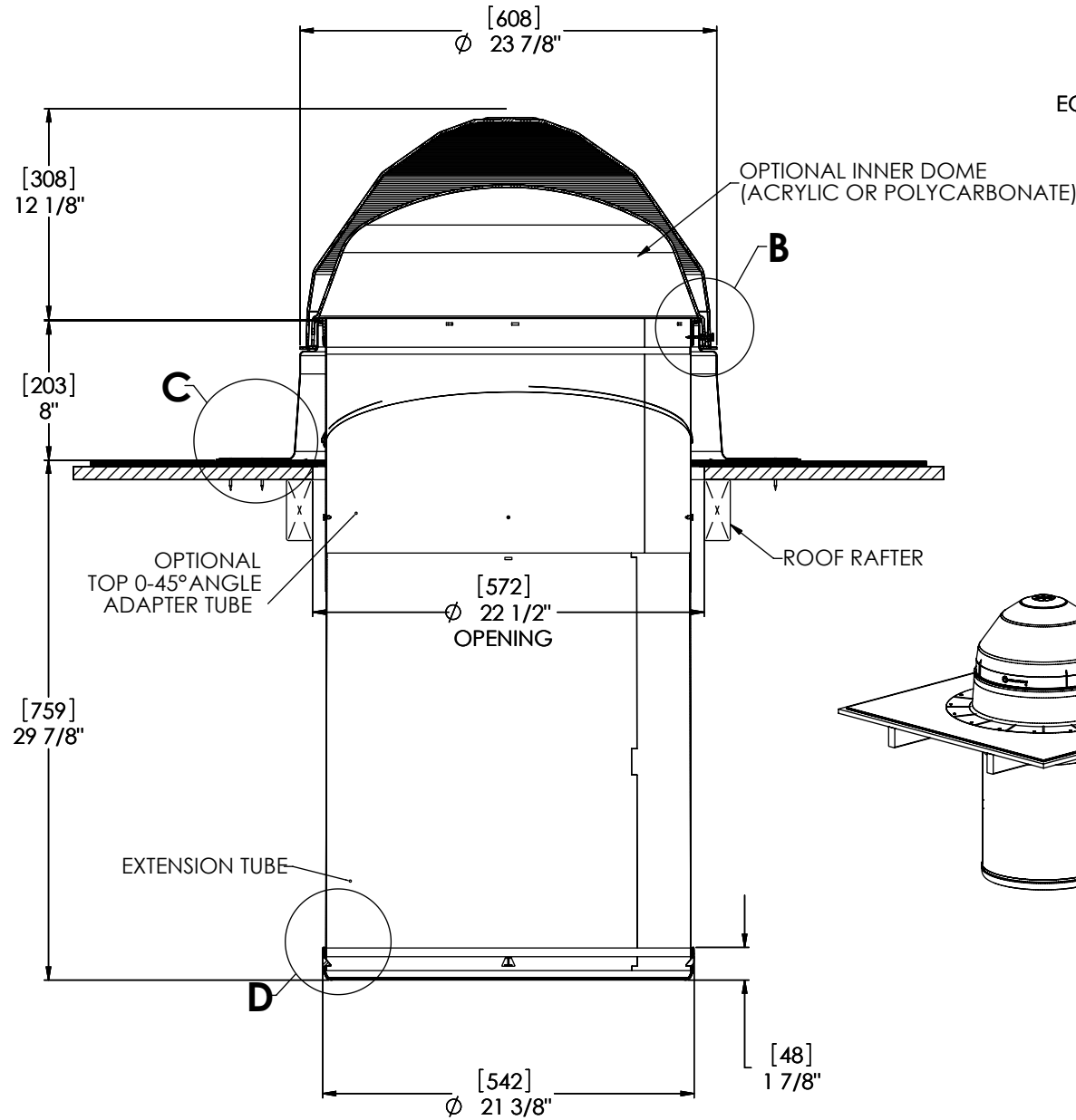
**DETAIL B
SCALE 3 : 1**



**DETAIL C
SCALE 3 : 1**

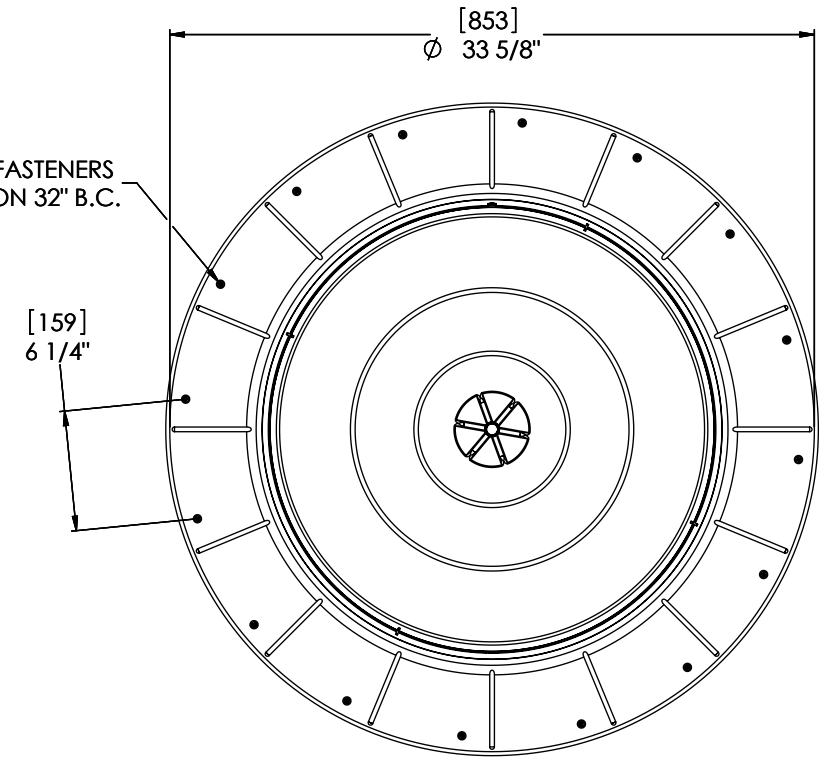


**DETAIL D
SCALE 3 : 1**

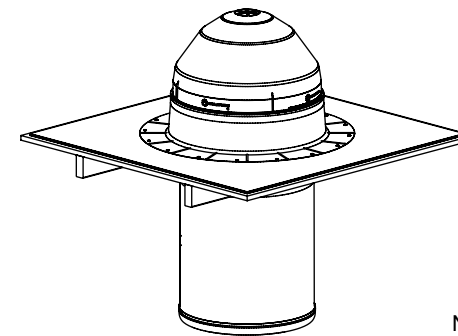


**FULL SECTION
SCALE 1:1**

16X FASTENERS
EQ. SP. ON 32" B.C.



**TOP VIEW
SCALE 1 : 2**



NOTES:

1. STRUCTURAL ELEMENTS (PLYWOOD, RAFTERS, DRYWALL ETC.) BY OTHERS & SHOWN FOR REFERENCE ONLY.
2. ALL TUBE JOINTS & SEAMS TAPED WITH 2" FOIL TAPE (NOT SHOWN).
3. DIMENSIONS IN BRACKETS ARE METRIC UNLESS OTHERWISE SPECIFIED.
4. 6" MIN CLEARANCE SHOULD BE MAINTAINED FROM ALL SOLATUBE COMPONENTS AND OTHER PLENUM COMPONENTS.

UNLESS OTHERWISE SPECIFIED: DIMENSIONS ARE IN INCHES TOLERANCES: ANGULAR: $\pm 0.5^\circ$ X $\pm .1$ XX $\pm .02$ XXX $\pm .005$		SOLATUBE INTERNATIONAL, INC. COPYRIGHT 2011 WWW.SOLATUBE.COM		 2210 OAK RIDGE WAY VISTA, CALIFORNIA 92081-8341 PH (760) 597-4400 CE	
MATERIAL -	DRAWN BY STEVENS	DATE 3/2/09	TITLE: 750 DS (21") SELF-FLASHING OPEN CEILING		
FINISH -	CHECKED BY -	DATE -	SIZE	DWG. NO. WEB-750-SF8-OC	REV 2
DO NOT SCALE DRAWING		APPROVED BY -	DATE -	SCALE: 1:1	SHEET 1 OF 1