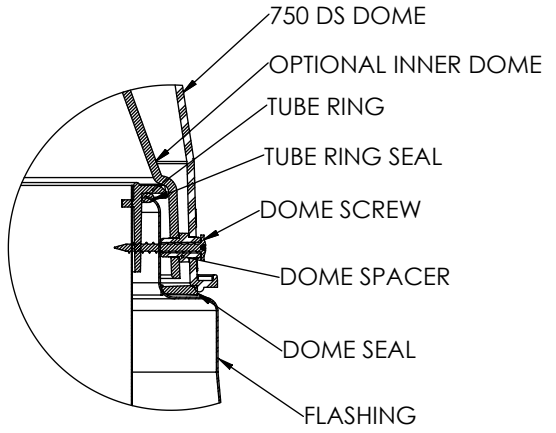
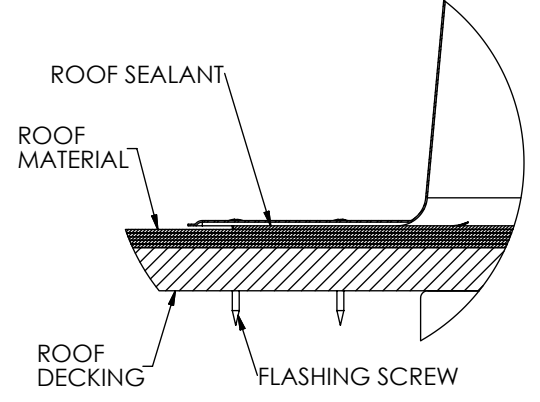


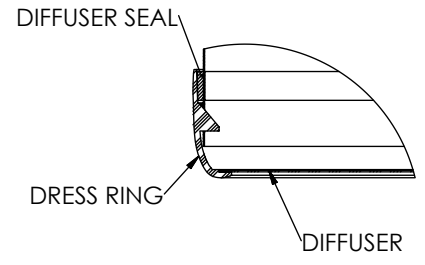
**SOLATUBE 750 DS-O
(21 IN / 530 MM)
11" SELF FLASHING
OPEN CEILING WITH OPTIONAL INNER DOME**



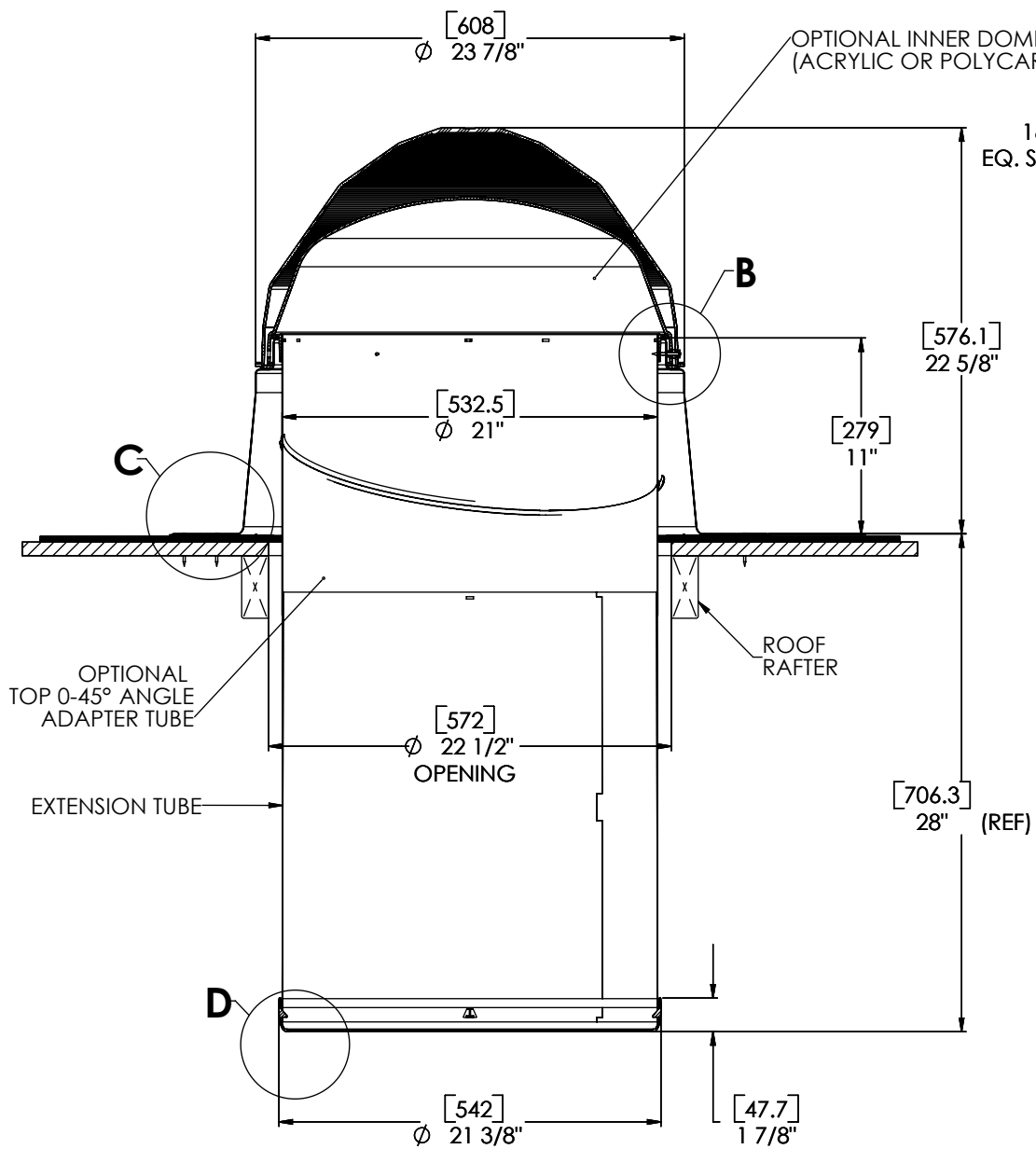
**DETAIL B
SCALE 3 : 1**



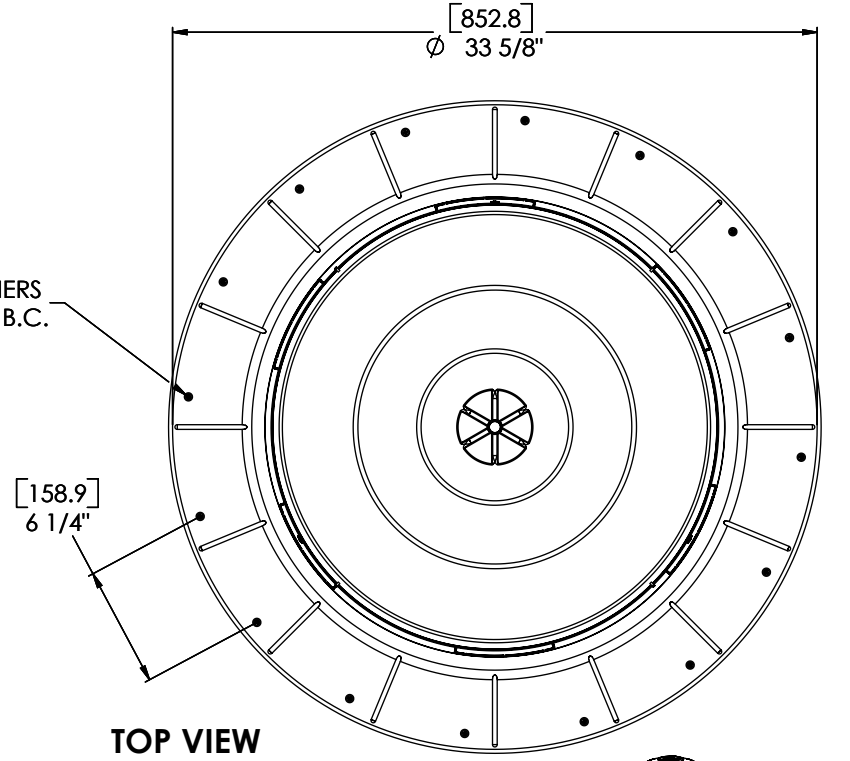
**DETAIL C
SCALE 3 : 1**



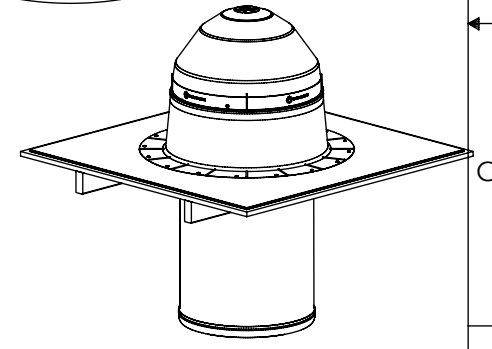
**DETAIL D
SCALE 3 : 1**




**FULL SECTION
SCALE 1:1**



**TOP VIEW
SCALE 1 : 2**



- NOTES:**
1. STRUCTURAL ELEMENTS (PLYWOOD, RAFTERS, DRYWALL ETC.) BY OTHERS & SHOWN FOR REFERENCE ONLY.
 2. ALL TUBE JOINTS & SEAMS TAPED WITH 2" FOIL TAPE (NOT SHOWN).
 3. DIMENSIONS IN BRACKETS ARE METRIC UNLESS OTHERWISE SPECIFIED.
 4. 6" MIN CLEARANCE SHOULD BE MAINTAINED FROM ALL SOLATUBE COMPONENTS AND OTHER PLENUM COMPONENTS.

UNLESS OTHERWISE SPECIFIED:		SOLATUBE INTERNATIONAL, INC. COPYRIGHT 2011 WWW.SOLATUBE.COM		 2210 OAK RIDGE WAY VISTA, CALIFORNIA 92081-8341 PH (760) 597-1400	
DIMENSIONS ARE IN INCHES TOLERANCES: ANGULAR: ±0.5° .X ± .1 .XX ± .02 .XXX ± .005		DRAWN BY STEVENS	DATE 7/1/08	TITLE: 750 DS-O SELF FLASHING OPEN CEILING	
MATERIAL -	FINISH -	CHECKED BY -	DATE -	SIZE -	DWG. NO. WEB-750-SF-OC
DO NOT SCALE DRAWING		APPROVED BY -	DATE -	SCALE: 1:1	REV 2
				1	SHEET 1 OF 1