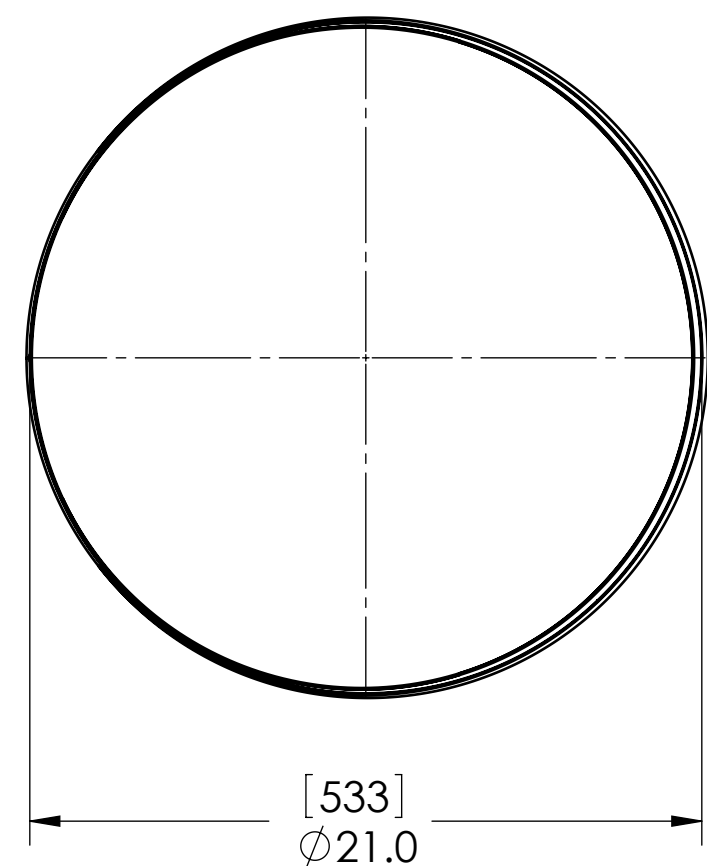
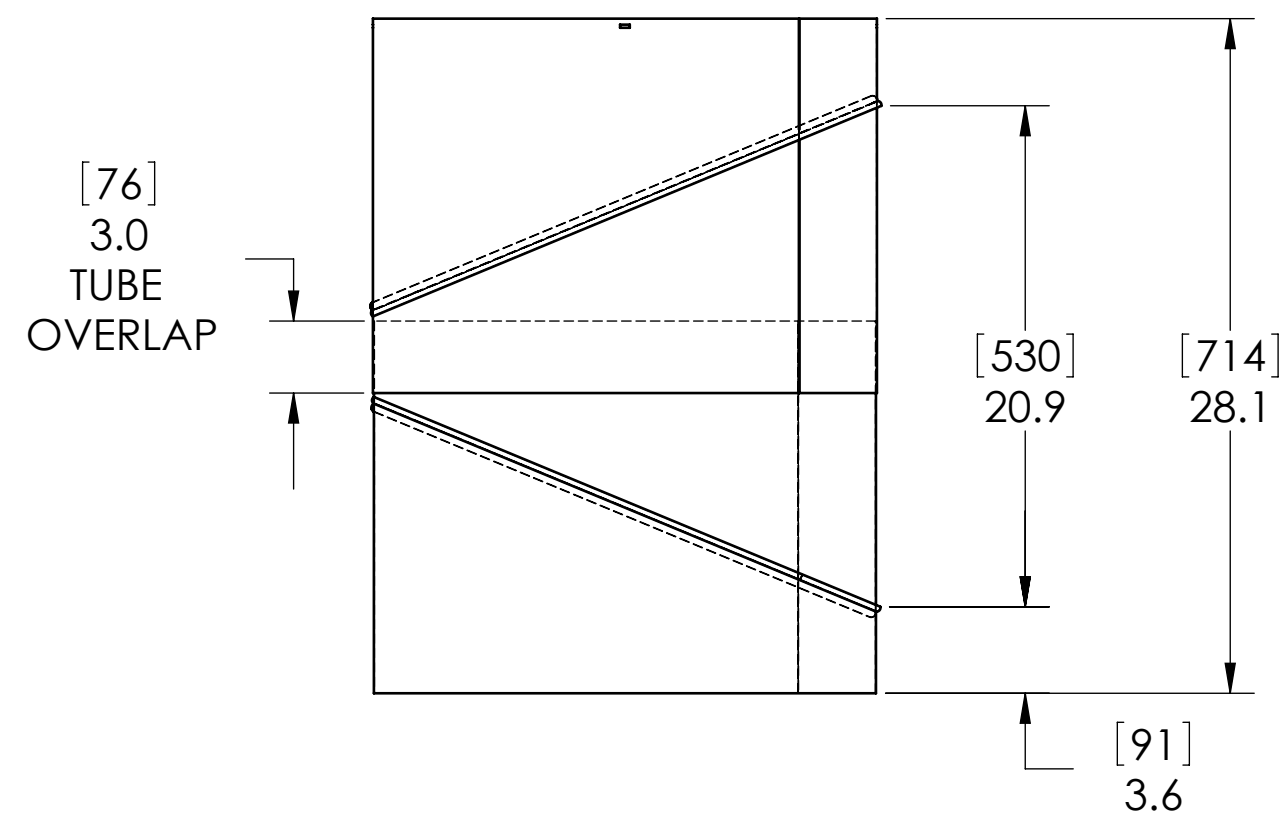
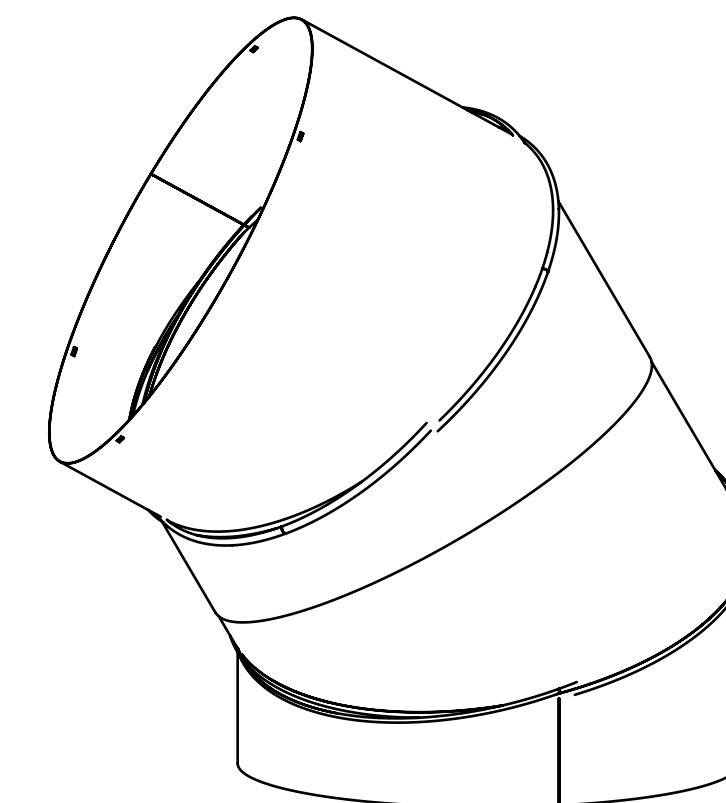


REVISIONS					
REV.	ECO	DATE	REVISED	CHECKED	APPROVED
A		4/29/11			

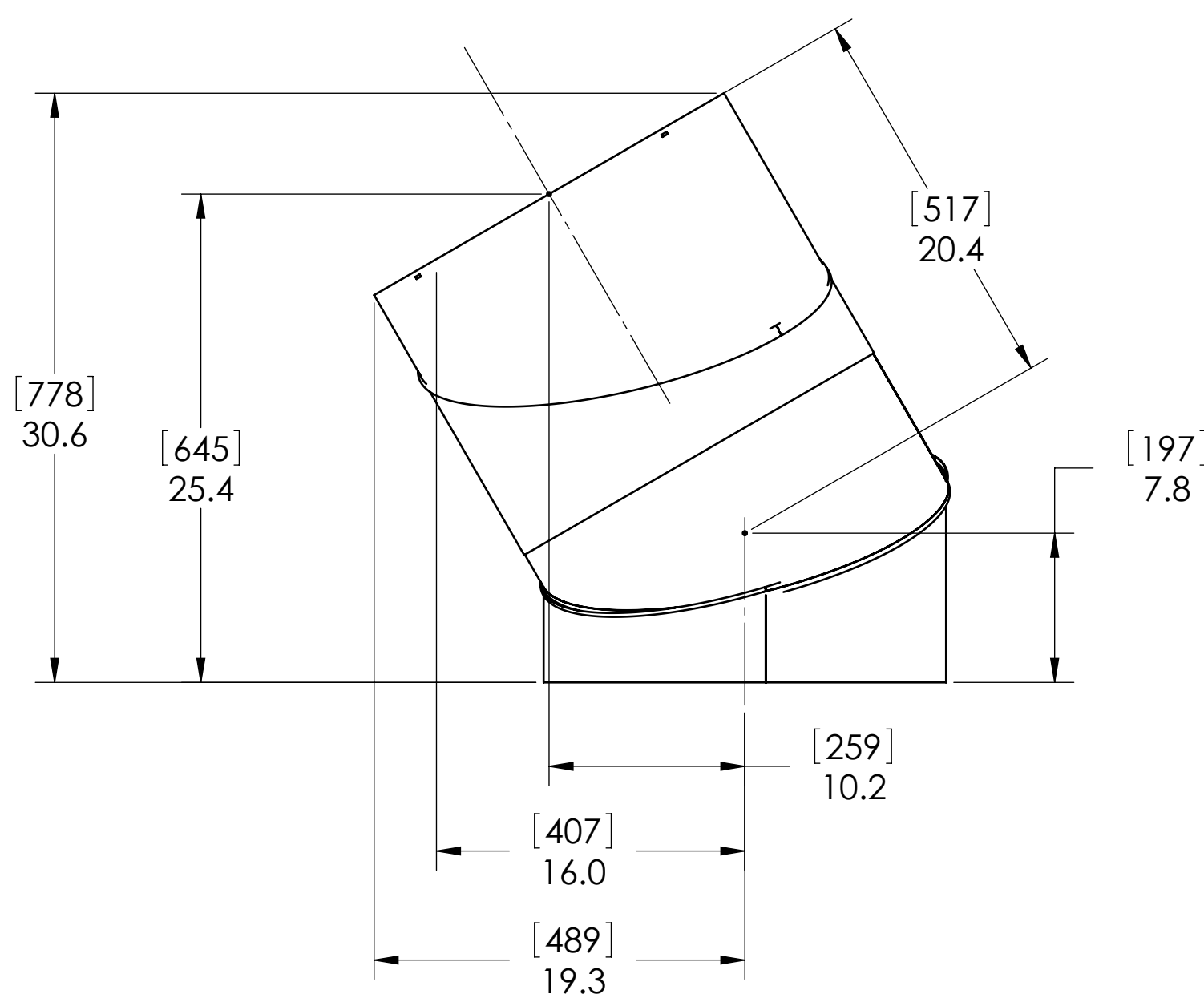
SOLATUBE 0-90 DEGREE EXTENSION TUBE FOR SOLATUBE 330 DS OR SOLATUBE 750 DS



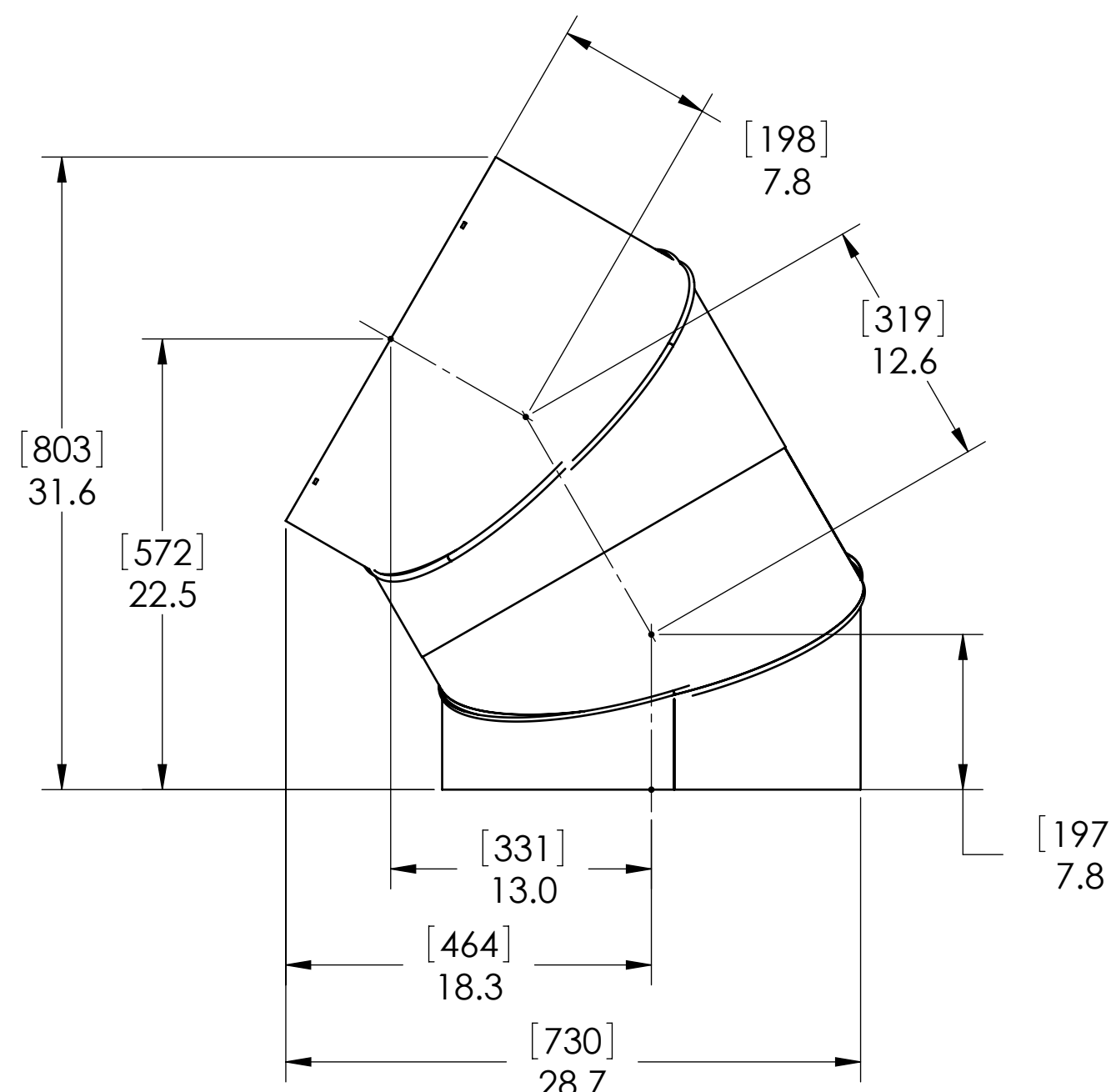
**TOP VIEW
STRAIGHT**



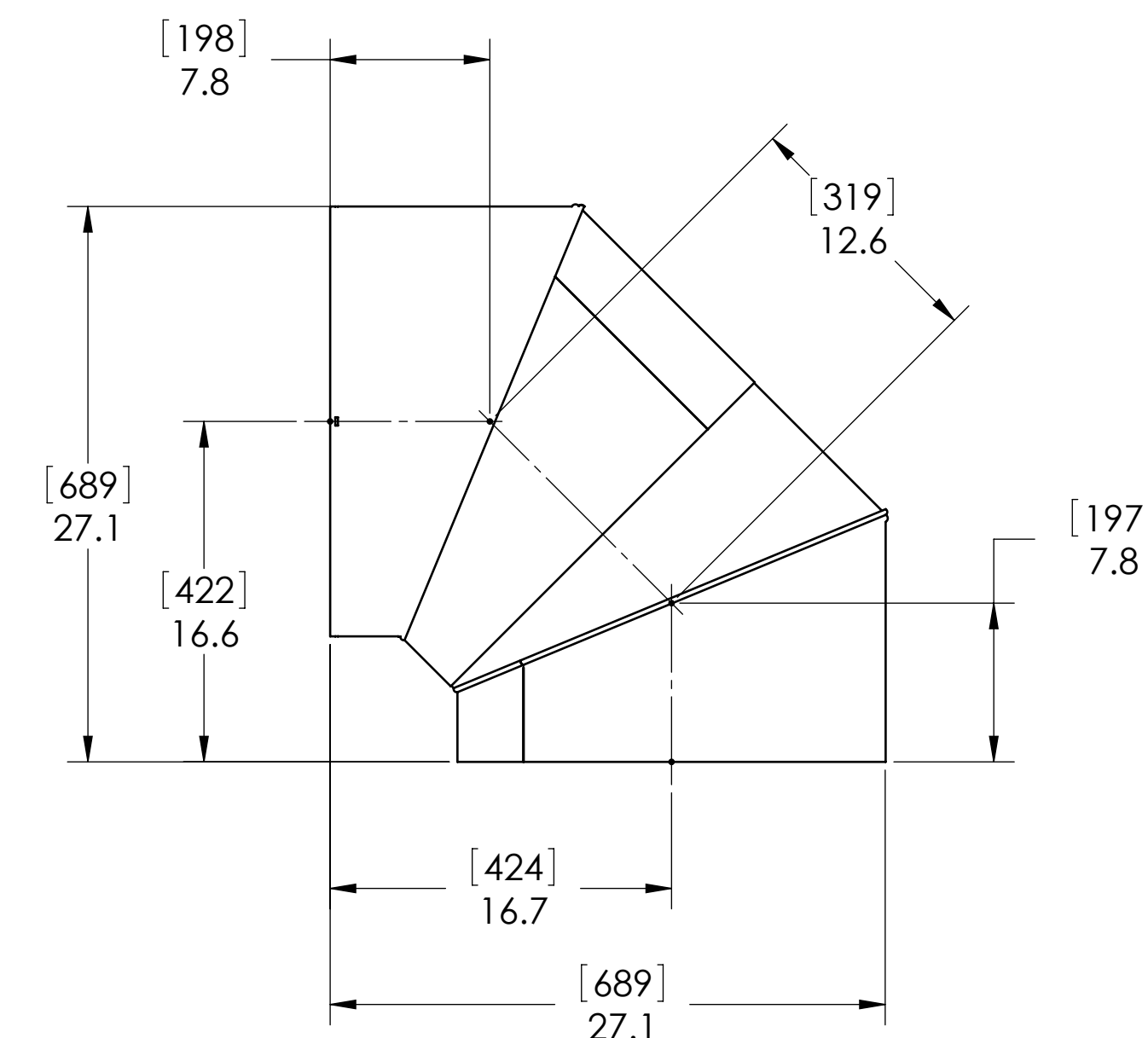
STRAIGHT



30° ANGLE



60° ANGLE



90° ANGLE

- NOTES:
1. DIMENSIONS IN BRACKETS ARE METRIC UNLESS OTHERWISE SPECIFIED.
 2. 6" MIN. CLEARANCE SHOULD BE MAINTAINED FROM ALL SOLATUBE COMPONENTS AND OTHER PLENUM COMPONENTS.
 3. ASSEMBLY REQUIRED; KIT CONTAINS TWO (2) 45 DEGREE ANGLE ADAPTERS.
 4. DIMENSIONS REFLECT MAXIMUM TUBE OVERLAP.

UNLESS OTHERWISE SPECIFIED:	
TOLERANCES	ANGULAR: ±0.5°
INCH .X ± .1 .XX ± .06	MILLIMETER .X ± 2.5 .XX ± 1.5

SOLATUBE INTERNATIONAL, INC.
COPYRIGHT 2010
WWW.SOLATUBE.COM



MATERIAL	---	DRAWN BY	STEVENS	DATE	4/29/11
FINISH	---	CHECKED BY	---	DATE	---
DO NOT SCALE DRAWING	---	APPROVED BY	---	DATE	---

TITLE:	0-90 DEGREE EXT. TUBE 330 DS OR 750 DS	
SIZE:	DWG. NO.	REV
	WEB-750-90DEG-EXT	A
		SHEET 1 OF 1